



青岛瑞亿达塑业制品有限公司 Qingdao Rulyda Plastic Manufacture Co.,Ltd

WHO WE ARE

About Rulyda

Our products can be used in food,beverage,beer,chemical,industry,biological,engineering,machinery parts,logistics,warehousing,supermarket and other industries.

We on the international market forover 15 years,Our company pass I S O,B S C I,F D A,C E and other international third party inspection test.

Most of our products have been exported to many countries for many years,especially the USA,Singapore,Europe,Thailand. We are committed to building long-term partnerships with our customers all over the world.

Address:Building #f 1, No.559,Jiaozhouwan West Road, Huangdao District,

Qingdao,Shandong.266555

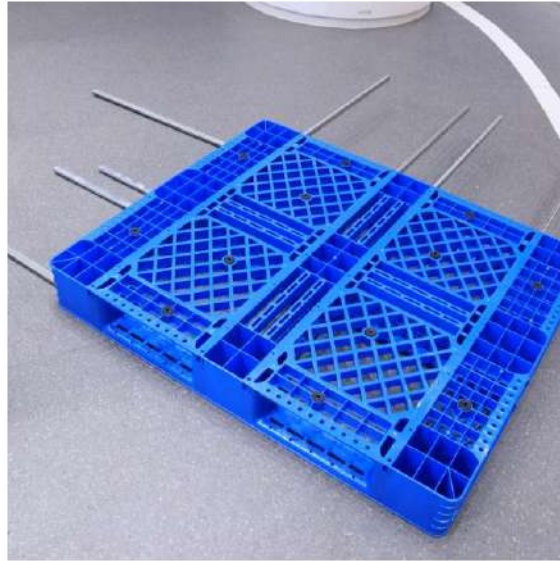
Iphone:+86 136 8532 6369

Website:<https://www.rulymm.com>

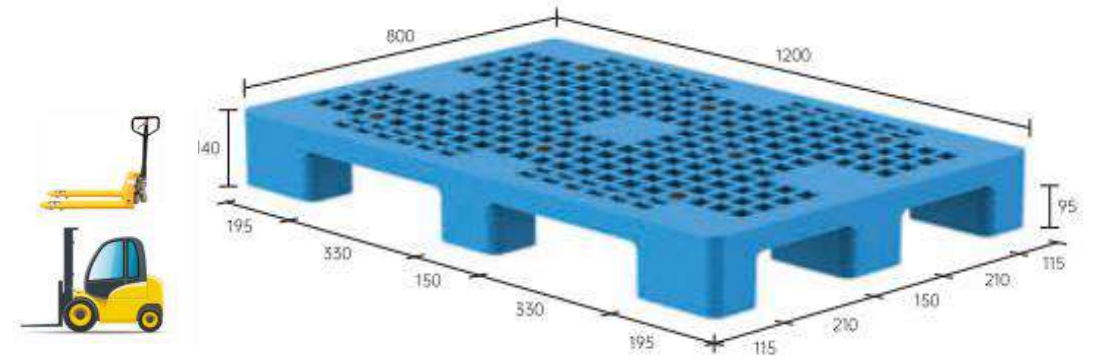
Factory display



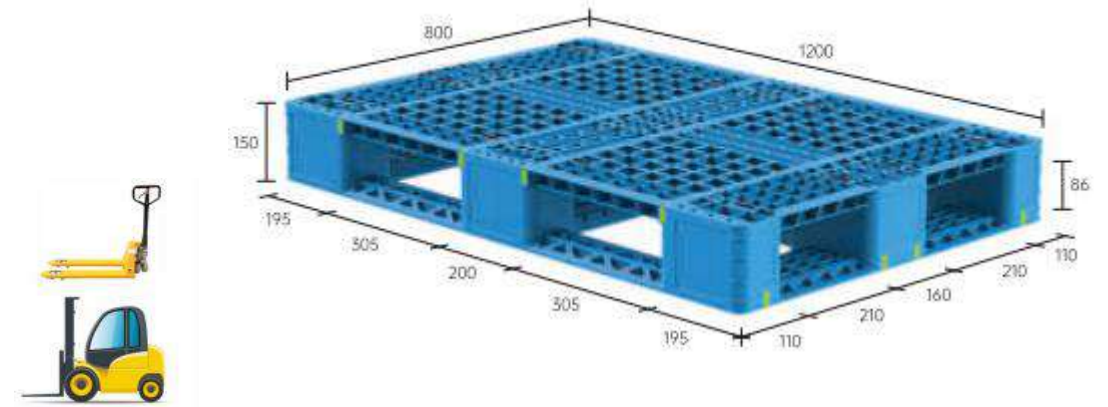
Product display



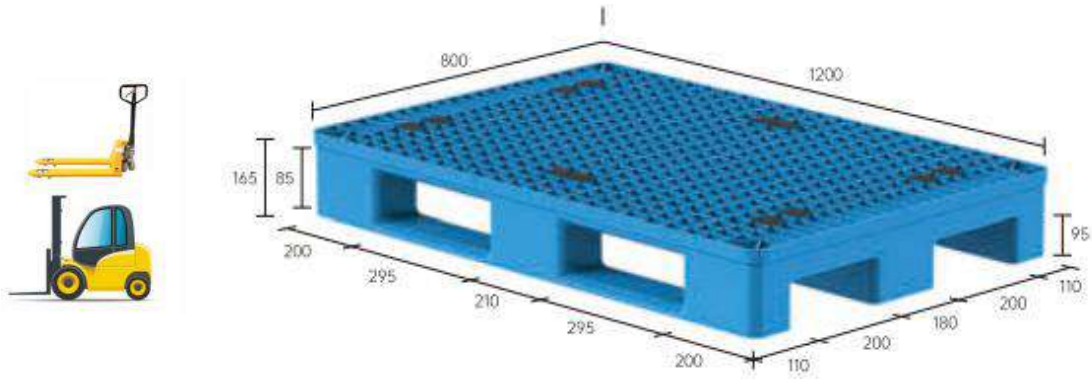
1200*800 托盘系列
1200*800 Pallet Series



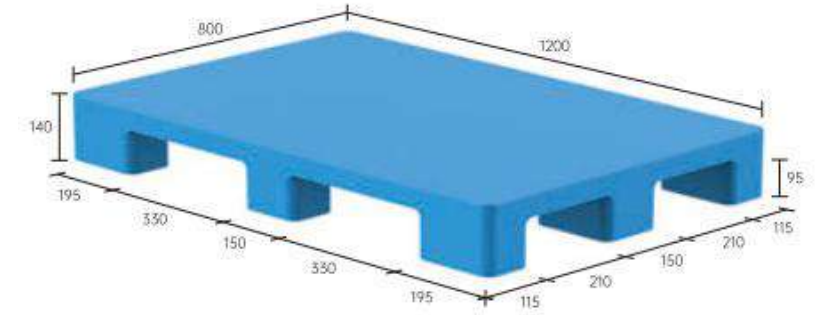
Item code	Dimension(mm)	Option	Bottom support	Load capacity (ton)		
				Static	Dynamic	Rack
RY-1208A-1	L1200xW800xH140 mm	W/O reinforce tube	9 feet	4	1	NIA



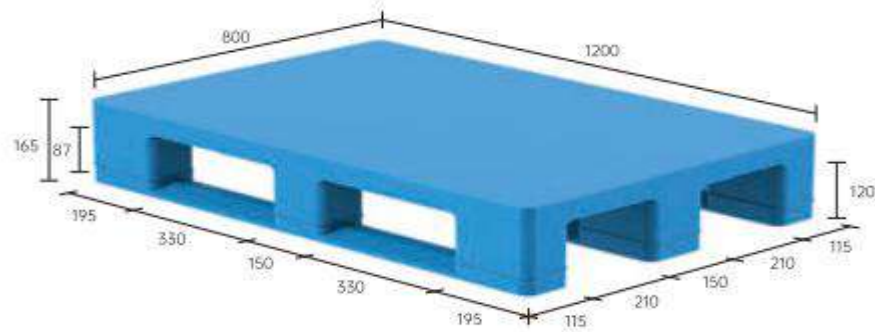
Item code	Dimension(mm)	Option	Bottom support	Load capacity (ton)		
				Static	Dynamic	Rack
RY-1208WT-1	L1200xW800xH150 mm	W/O reinforce tube	6 runners	4	1	0.6
		With 8 reinforce tubes		4	1.5	0.8



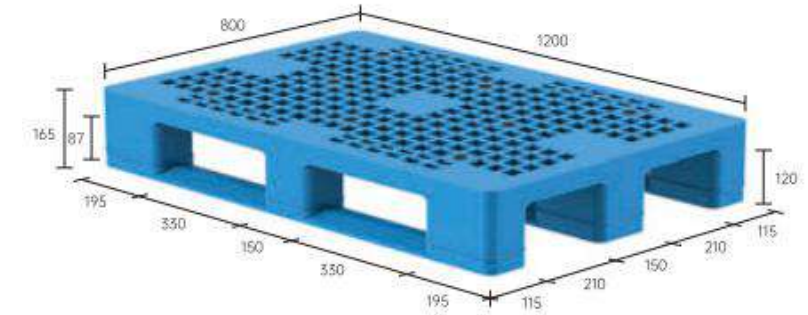
Item code	Dimension(mm)	Option	Bottom support	Load capacity (ton)		
				Static	Dynamic	Rack
RY-1208B-1	L1200xW800xH165 mm	W/O reinforce tube	3 runners	4	1.5	0.8



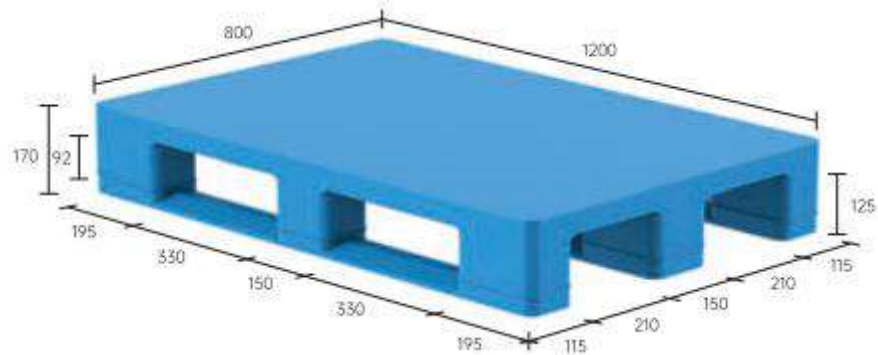
Item code	Dimension(mm)	Option	Bottom support	Load capacity (ton)		
				Static	Dynamic	Rack
RY-1208A-2	L1200xW800xH140mm	W/O reinforce tube	9 feet	4	1	N/A



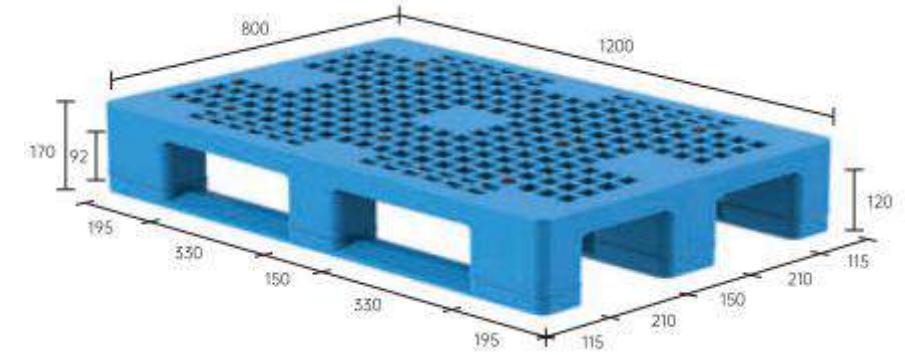
Item code	Dimension(mm)	Option	Bottom support	Load capacity (ton)		
				Static	Dynamic	Rack
RY-1208B-2	L1200xW800xH165mm	W/O reinforce tube	3 runners	4	1	0.6
		With 3 reinforce tubes		4	1.5	1.2



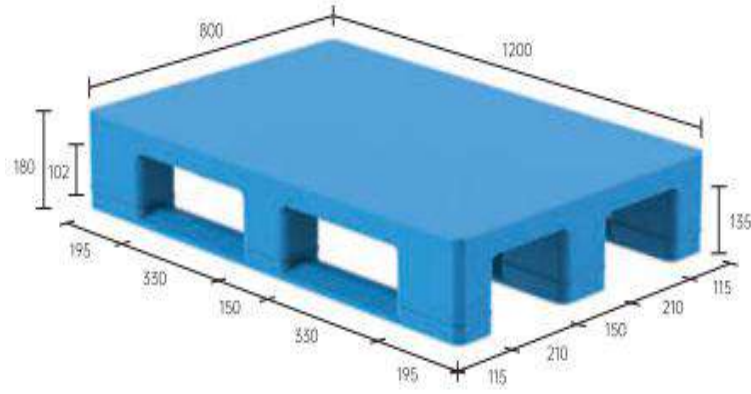
Item code	Dimension(mm)	Option	Bottom support	Load capacity (ton)		
				Static	Dynamic	Rack
RY-1208B-3	L1200xW800xH165mm	W/O reinforce tube	3 runners	4	1	0.6
		With 3 reinforce tubes		4	1.5	1.2



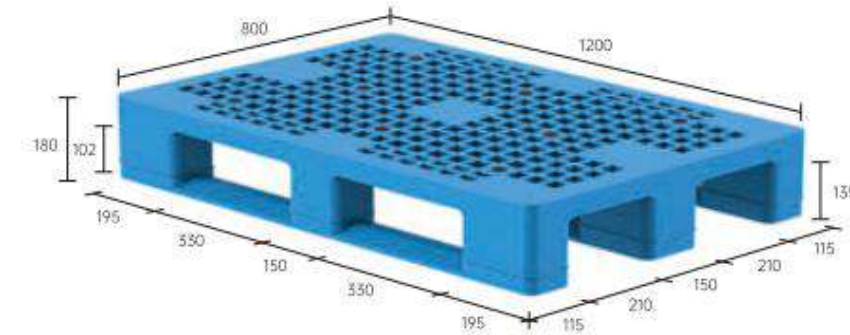
Item code	Dimension(mm)	Option	Bottom support	Load capacity (ton)		
				Static	Dynamic	Rack
RY-1208B-4	L1200xW800xH170mm	W/O reinforce tube	3 runners	4	1	0.6
		With 3 reinforce tubes		4	1.5	1.2



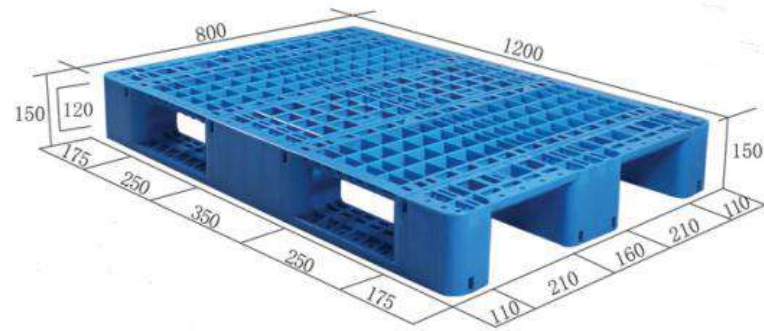
Item code	Dimension(mm)	Option	Bottom support	Load capacity (ton)		
				Static	Dynamic	Rack
RY-1208B-5	L1200xW800xH170mm	W/O reinforce tube	3 runners	4	1	0.6
		With 3 reinforce tubes		4	1.5	1.2



Item code	Dimension(mm)	Option	Bottom support	Load capacity (ton)		
				Static	Dynamic	Rack
RY-1208B-6	L1200xW800xH180mm	W/O reinforce tube	3 runners	4	1	0.6
		With 3 reinforce tubes		4	1.5	1.2

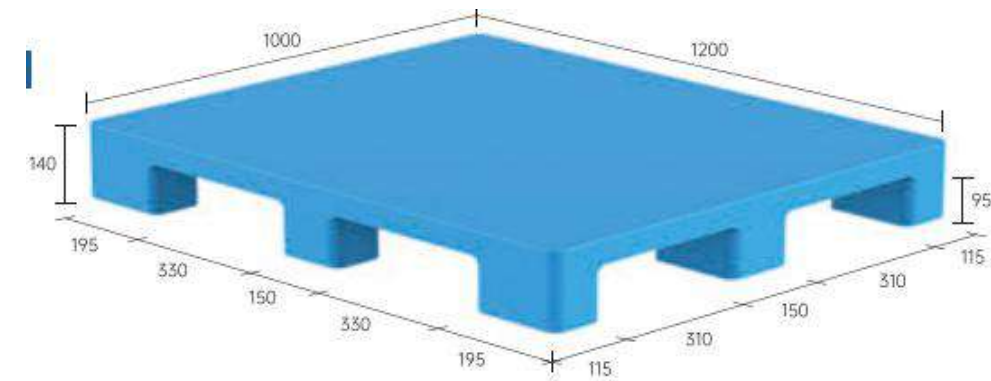


Item code	Dimension(mm)	Option	Bottom support	Load capacity (ton)		
				Static	Dynamic	Rack
RY-1208B-7	L1200xW800xH180mm	W/O reinforce tube	3 runners	4	1	0.6
		With 3 reinforce tubes		4	1.5	1.2

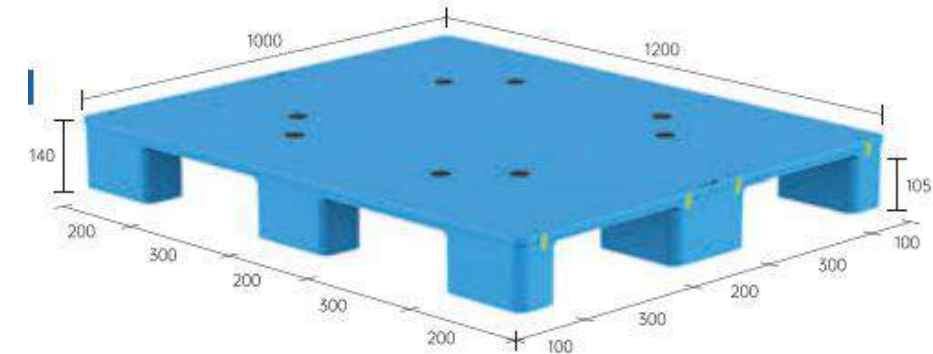


Item code	Dimension(mm)	Option	Bottom support	Load capacity (ton)		
				Static	Dynamic	Rack
RY-1208B-25	L1200xW1000xH150mm	W/O reinforce tube	3 runners	4	1	0.8
		With 8 reinforce tubes		6	2	1

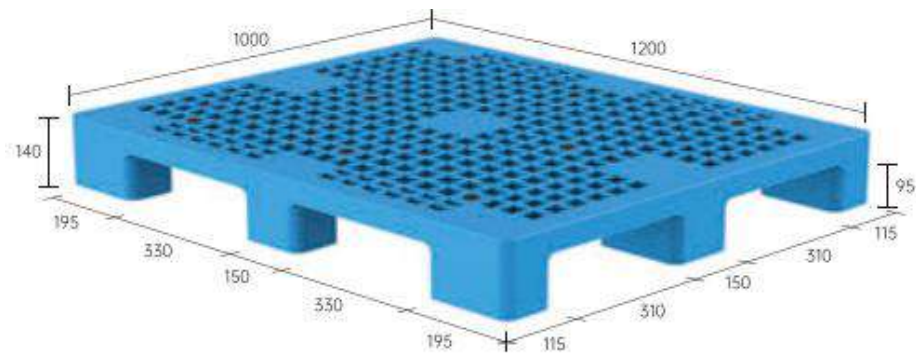
1200*1000 托盘系列
1200*1000 Pallet Series



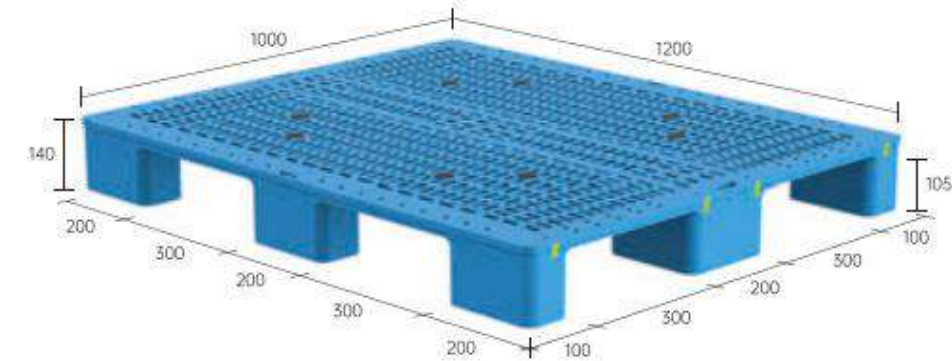
Item code	Dimension(mm)	Option	Bottom support	Load capacity (ton)		
				Static	Dynamic	Rack
RY-1210A-1	L1200xW1000xH140mm	W/O reinforce tube	9 feet	4	1	N/A



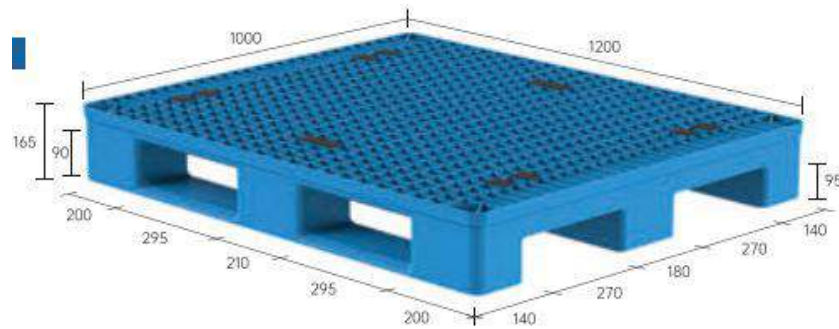
Item code	Dimension(mm)	Option	Bottom support	Load capacity (ton)		
				Static	Dynamic	Rack
RY-1210A-2	L1200xW1000xH140mm	W/O reinforce tube	9 feet	4	1	N/A
		With 4 reinforce tubes		4	1.5	N/A



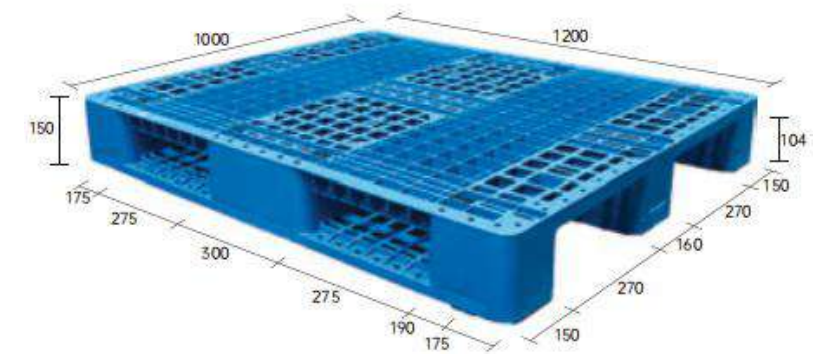
Item code	Dimension(mm)	Option	Bottom support	Load capacity (ton)		
				Static	Dynamic	Rack
RY-1210A-3	L1200xW1000xH140mm	W/O reinforce tube	9 feet	4	1	N/A



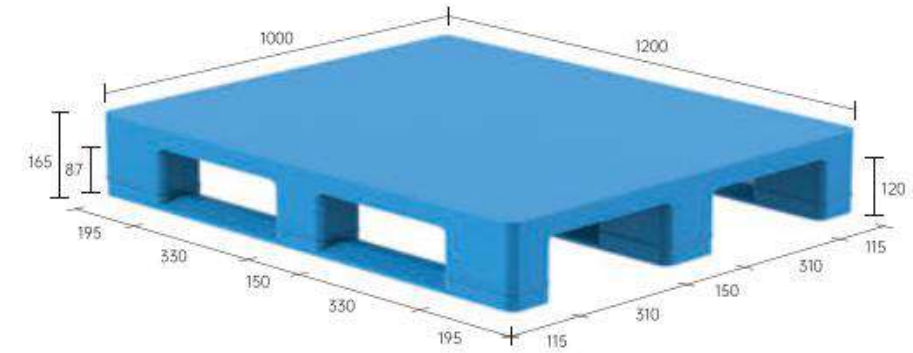
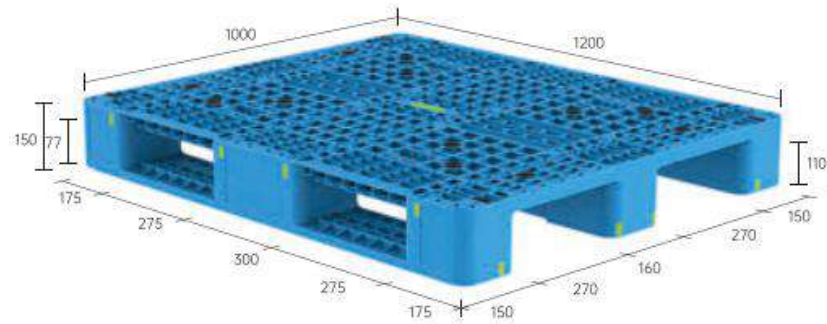
Item code	Dimension(mm)	Option	Bottom support	Load capacity (ton)		
				Static	Dynamic	Rack
RY-1210A-4	L1200xW1000xH140mm	W/O reinforce tube	9 feet	4	0.8	N/A
		With 4 reinforce tubes		4	1.5	N/A



Item code	Dimension(mm)	Option	Bottom support	Load capacity (ton)		
				Static	Dynamic	Rack
RY-1210B-1	L1200xW1000xH140mm	W/O reinforce tube	3 runners	4	1	N/A

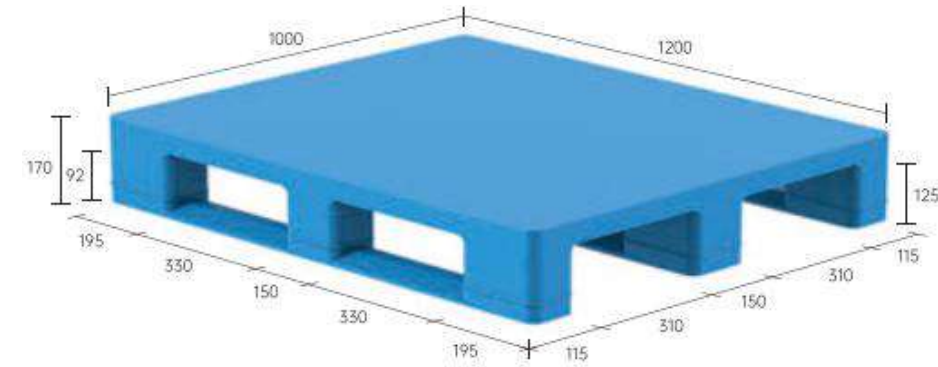
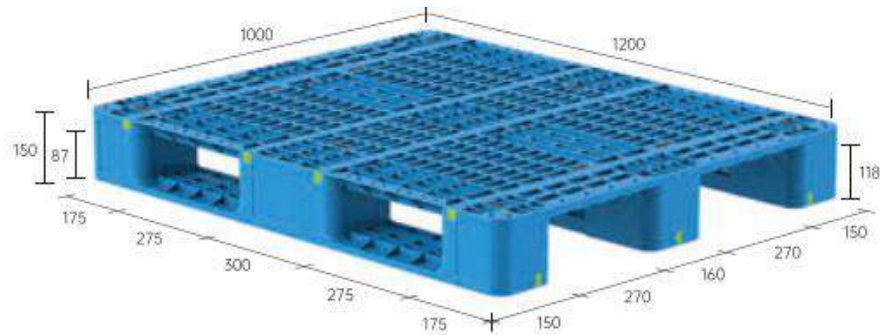


Item code	Dimension(mm)	Option	Bottom support	Load capacity (ton)		
				Static	Dynamic	Rack
RY-1210B-2	L1200xW1000xH150mm	W/O reinforce tube	3 runners	4	1	0.6
		With 8 reinforce tubes		4	1.5	1.2



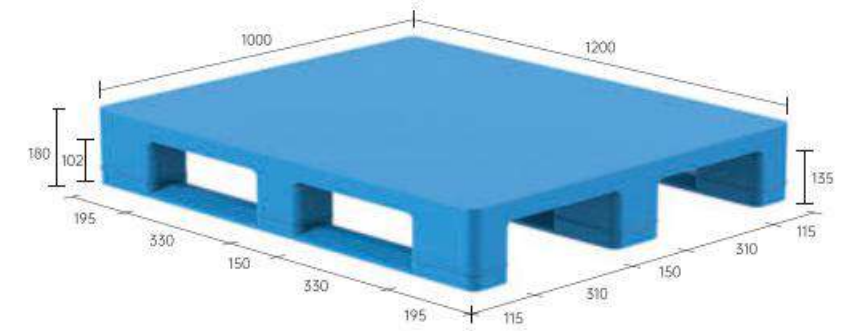
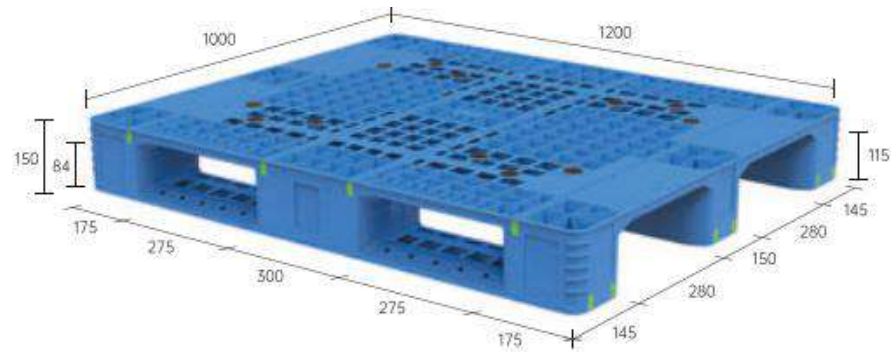
Item code	Dimension(mm)	Option	Bottom support	Load capacity (ton)		
				Static	Dynamic	Rack
RY-1210B-3	L1200xW1000xH150mm	W/O reinforce tube	3 runners	4	1	0.6
		With 8 reinforce tubes		4	1.5	1.2

Item code	Dimension(mm)	Option	Bottom support	Load capacity (ton)		
				Static	Dynamic	Rack
RY-1210B-4	L1200xW1000xH165mm	W/O reinforce tube	3 runners	4	1.5	0.6
		With 3 reinforce tubes		4	1.5	1.2



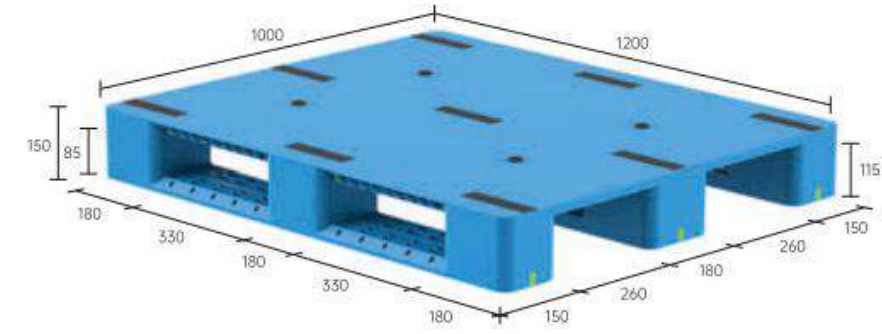
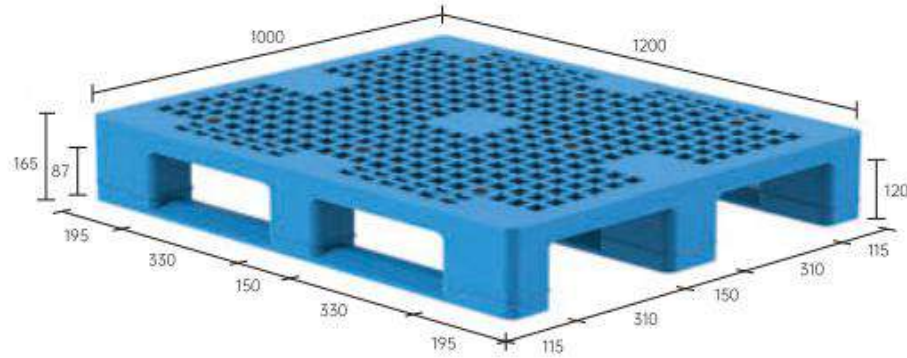
Item code	Dimension(mm)	Option	Bottom support	Load capacity (ton)		
				Static	Dynamic	Rack
RY-1210B-5	L1200xW1000xH150mm	W/O reinforce tube	3 runners	3	0.8	N/A
		With 7 reinforce tubes		3	1.2	0.5

Item code	Dimension(mm)	Option	Bottom support	Load capacity (ton)		
				Static	Dynamic	Rack
RY-1210B-6	L1200xW1000xH170mm	W/O reinforce tube	3 runners	4	1.5	0.6
		With 3 reinforce tubes		4	1.5	1.2



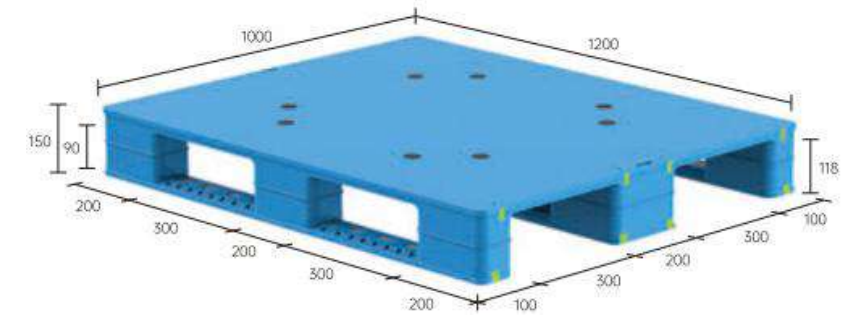
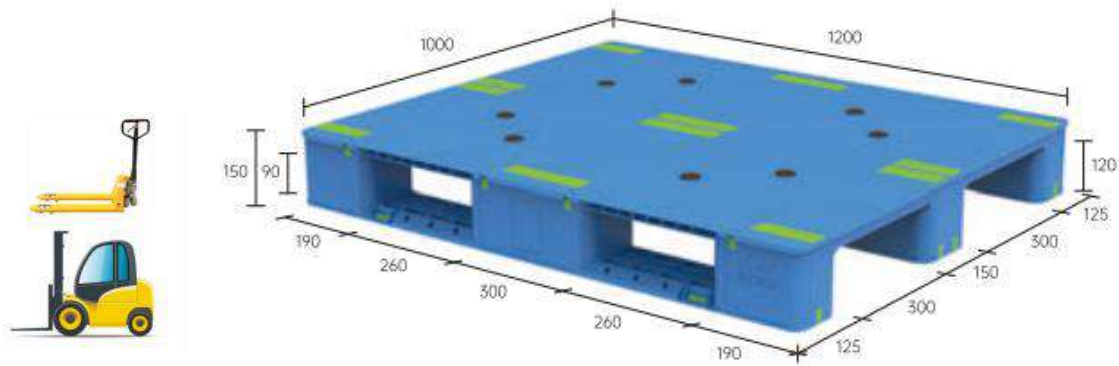
Item code	Dimension(mm)	Option	Bottom support	Load capacity (ton)		
				Static	Dynamic	Rack
RY-1210B-7	L1200xW1000xH150mm	W/O reinforce tube	3 runners	4	1	0.5
		With 10 reinforce tubes		4	1.5	1

Item code	Dimension(mm)	Option	Bottom support	Load capacity (ton)		
				Static	Dynamic	Rack
RY-1210B-8	L1200xW1000xH180mm	W/O reinforce tube	3 runners	4	1.5	0.6
		With 3 reinforce tubes		4	1.5	1.2



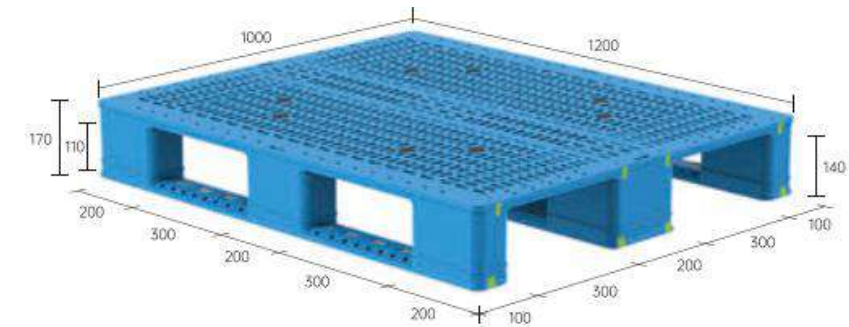
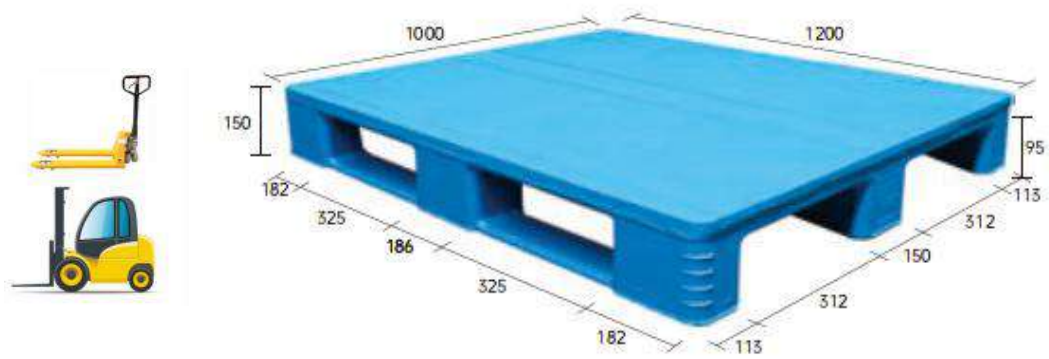
Item code	Dimension(mm)	Option	Bottom support	Load capacity (ton)		
				Static	Dynamic	Rack
RY-1210B-9	L1200xW1000xH165mm	W/O reinforce tube	3 runners	4	1.5	0.6
		With 3 reinforce tubes		4	1.5	1.2

Item code	Dimension(mm)	Option	Bottom support	Load capacity (ton)		
				Static	Dynamic	Rack
RY-1210B-10	L1200xW1000xH165mm	W/O reinforce tube	3 runners	4	1.5	0.6
		With 3 reinforce tubes		4	1.5	1.2



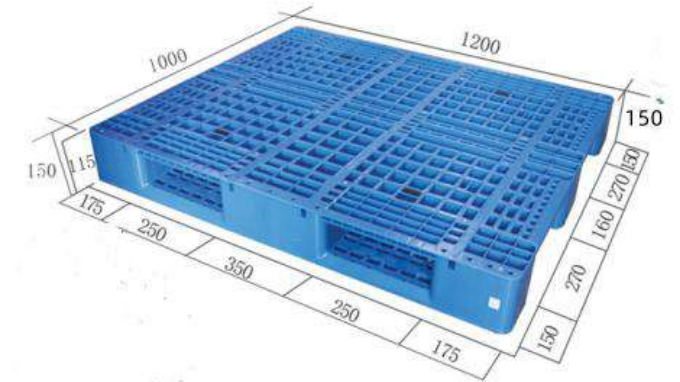
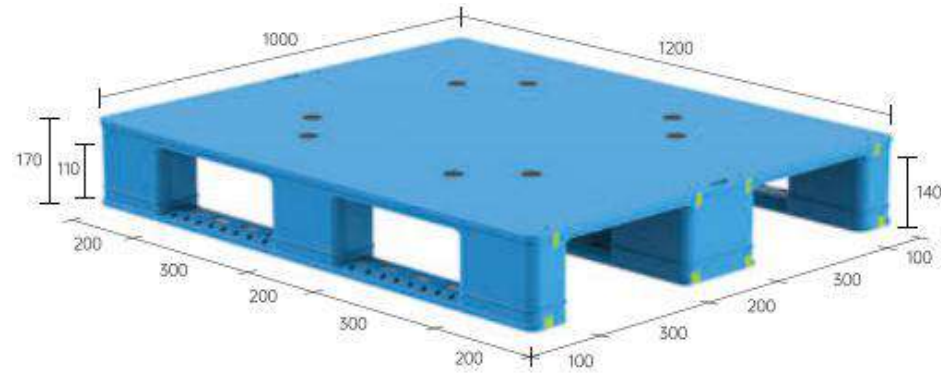
Item code	Dimension(mm)	Option	Bottom support	Load capacity (ton)		
				Static	Dynamic	Rack
RY-1210B-11	L1200xW1000xH150mm	W/O reinforce tube	3 runners	4	1	0.5
		With 8 reinforce tubes		4	1.5	1

Item code	Dimension(mm)	Option	Bottom support	Load capacity (ton)		
				Static	Dynamic	Rack
RY-1210B-12	L1200xW1000xH150mm	W/O reinforce tube	3 runners	4	1	0.5
		With 8 reinforce tubes		4	1.5	1



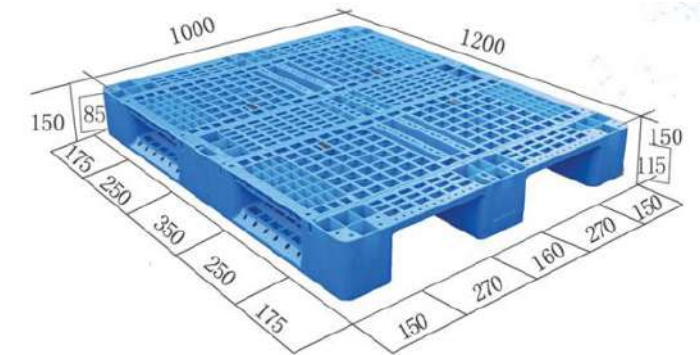
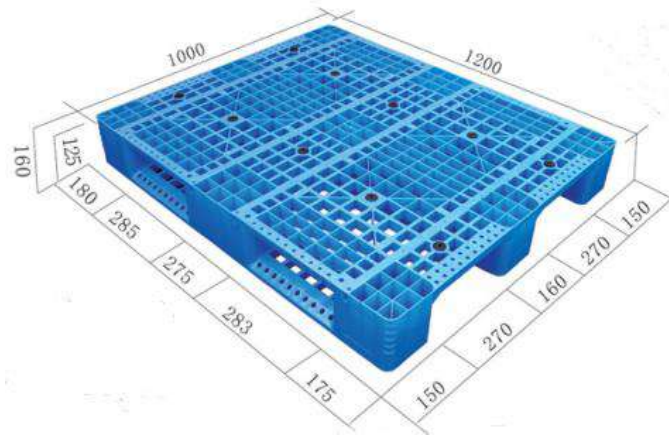
Item code	Dimension(mm)	Option	Bottom support	Load capacity (ton)		
				Static	Dynamic	Rack
RY-1210B-13	L1200xW1000xH150mm	W/O reinforce tube	3 runners	4	1.5	0.5
		With 12 reinforce tubes		4	2	0.8

Item code	Dimension(mm)	Option	Bottom support	Load capacity (ton)		
				Static	Dynamic	Rack
RY-1210B-14	L1200xW1000xH170mm	W/O reinforce tube	3 runners	4	1	0.5
		With 8 reinforce tubes		4	1.5	1.2



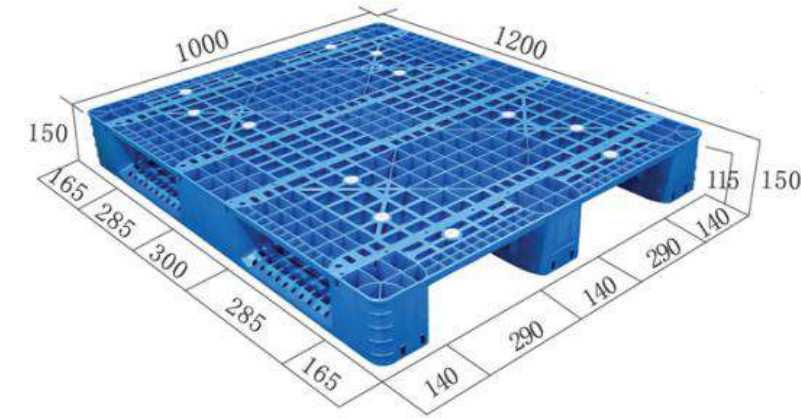
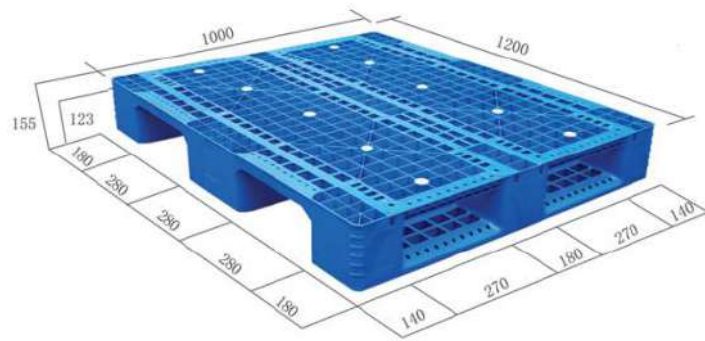
Item code	Dimension(mm)	Option	Bottom support	Load capacity (ton)		
				Static	Dynamic	Rack
RY-1210B-15	L1200xW1000xH170mm	W/O reinforce tube	3 runners	4	1	0.5
		With 8 reinforce tubes		4	1.5	1

Item code	Dimension(mm)	Option	Bottom support	Load capacity (ton)		
				Static	Dynamic	Rack
RY-1210B-16	L1200xW1000xH150mm	W/O reinforce tube	3 runners	5	1.5	0.5
		With 8 reinforce tubes		6	2	1



Item code	Dimension(mm)	Option	Bottom support	Load capacity (ton)		
				Static	Dynamic	Rack
RY-1210B-17	L1200xW1000xH160mm	W/O reinforce tube	3 runners	4	1.5	0.8
		With 10 reinforce tubes		6	2	1

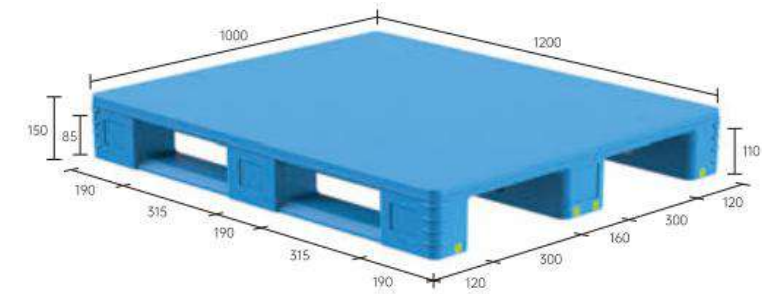
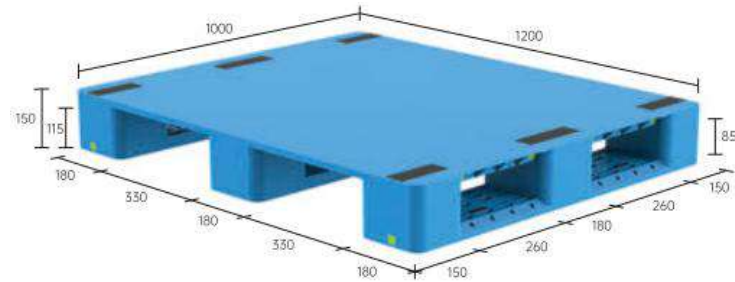
Item code	Dimension(mm)	Option	Bottom support	Load capacity (ton)		
				Static	Dynamic	Rack
RY-1210B-18	L1200xW1000xH150mm	W/O reinforce tube	3 runners	4	1	0.8
		With 8 reinforce tubes		6	2	1



Item code	Dimension(mm)	Option	Bottom support	Load capacity (ton)		
				Static	Dynamic	Rack
RY-1210B-19	L1200xW1000xH155mm	W/O reinforce tube	3 runners	4	1.5	0.8
		With 10 reinforce tubes		6	2	1

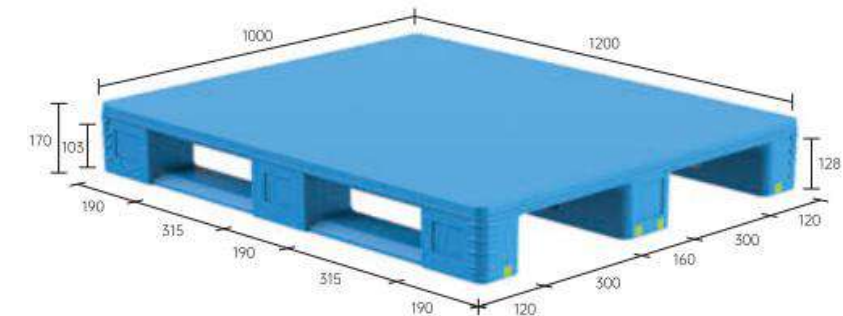
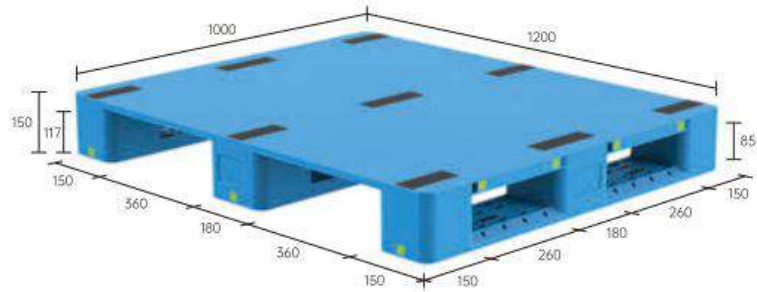
Item code	Dimension(mm)	Option	Bottom support	Load capacity (ton)		
				Static	Dynamic	Rack
RY-1210B-20	L1200xW1000xH150mm	W/O reinforce tube	3 runners	4	1	0.8
		With 10 reinforce tubes		6	2	1

1000*1200 托盘系列
1000*1200 Pallet Series



Item code	Dimension(mm)	Option	Bottom support	Load capacity (ton)		
				Static	Dynamic	Rack
RY-1210B-1	L1000xW1200xH150mm	W/O reinforce tube	3 runners	4	1	0.6
		With 6 reinforce tubes		4	1.5	1.2

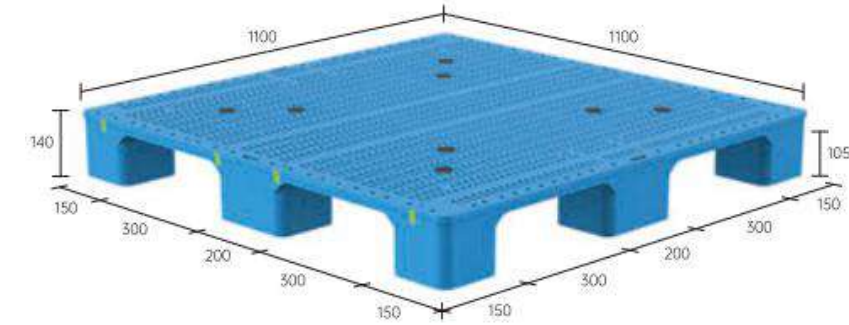
Item code	Dimension(mm)	Option	Bottom support	Load capacity (ton)		
				Static	Dynamic	Rack
RY-1012B-2	L1000xW1200xH150mm	W/O reinforce tube	3 runners	4	1	0.8
		With 1 reinforce tubes		4	1.5	1.2



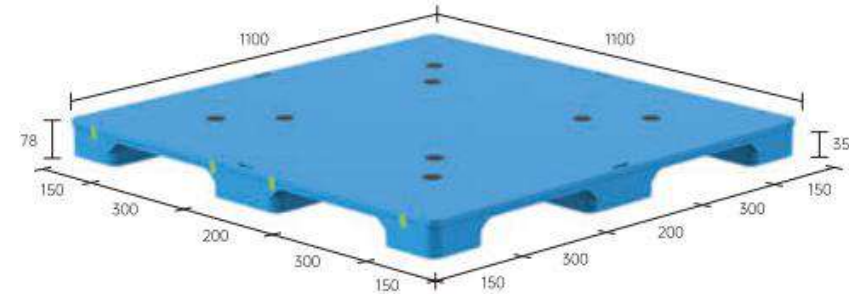
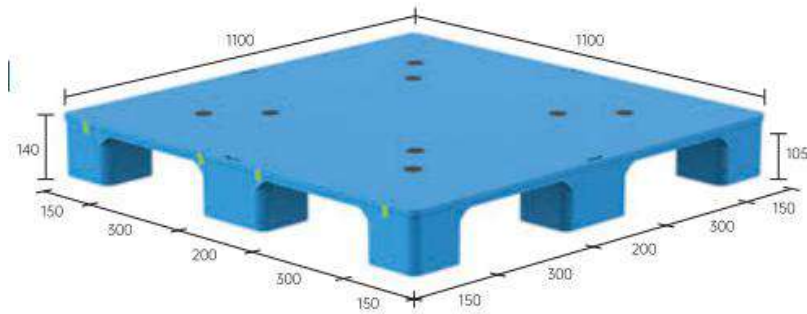
Item code	Dimension(mm)	Option	Bottom support	Load capacity (ton)		
				Static	Dynamic	Rack
RY-1010B-3	L1000xW1200xH150mm	W/O reinforce tube	3 runners	4	1	0.6
		With 7 reinforce tubes		4	1.5	1.2

Item code	Dimension(mm)	Option	Bottom support	Load capacity (ton)		
				Static	Dynamic	Rack
RY-1012B-4	L1000xW1200xH170mm	W/O reinforce tube	3 runners	4	1	0.6
		With 11 reinforce tubes		4	1.5	1.2

1100*1100 托盘系列
1100*1100 Pallet Serie

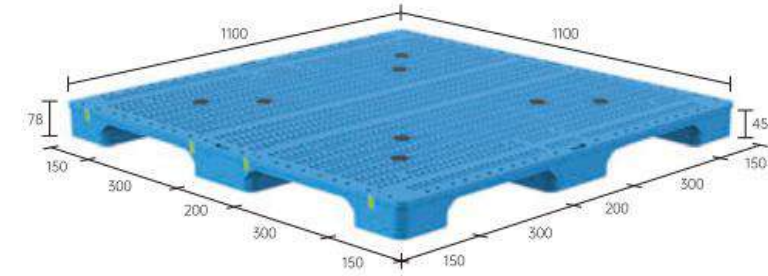
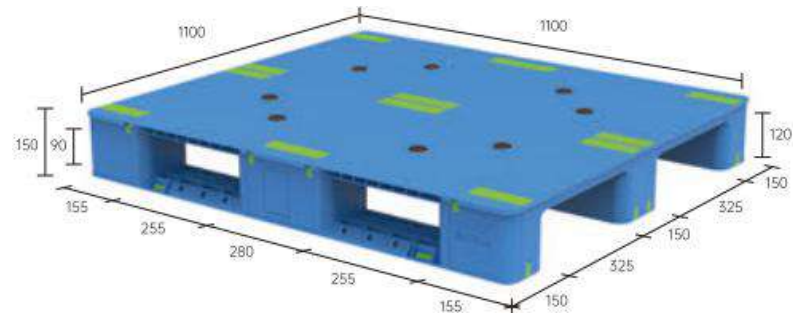


Item code	Dimension(mm)	Option	Bottom support	Load capacity (ton)		
				Static	Dynamic	Rack
RY-1111A-2	L1100xW1100xH140mm	W/O reinforce tube	9 feet	4	0.8	N/A
		With 4 reinforce tubes		4	1.2	N/A



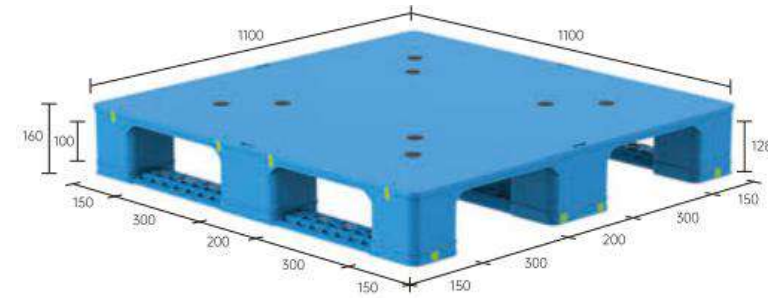
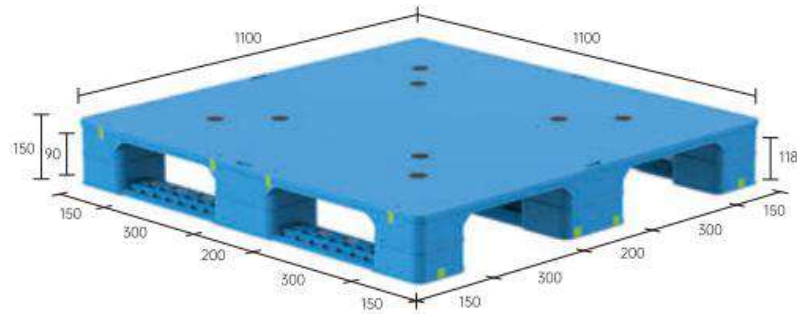
Item code	Dimension(mm)	Option	Bottom support	Load capacity (ton)		
				Static	Dynamic	Rack
RY-1111A-1	L1100xW1100xH140mm	W/O reinforce tube	9 feet	4	1	0.6
		With 4 reinforce tubes		4	1.5	1.2

Item code	Dimension(mm)	Option	Bottom support	Load capacity (ton)		
				Static	Dynamic	Rack
RY-1111A-3	L1100xW1100xH78mm	W/O reinforce tube	9 feet	4	N/A	N/A
		With 4 reinforce tubes		4	N/A	N/A



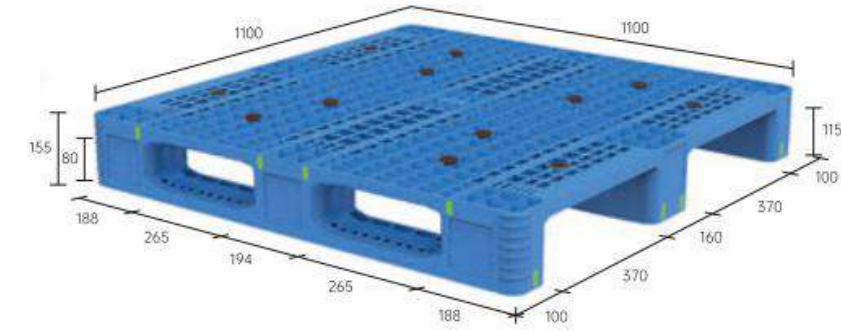
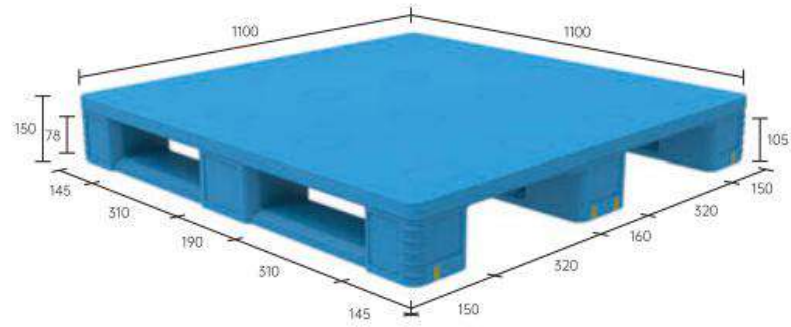
Item code	Dimension(mm)	Option	Bottom support	Load capacity (ton)		
				Static	Dynamic	Rack
RY-1111B-1	L1100xW1100xH150mm	W/O reinforce tube	3 runners	4	1	0.6
		With 8 reinforce tubes		4	1.5	1

Item code	Dimension(mm)	Option	Bottom support	Load capacity (ton)		
				Static	Dynamic	Rack
RY-1111A-4	L1100xW1100xH150mm	W/O reinforce tube	9 feet	4	N/A	N/A
		With 8 reinforce tubes		4	N/A	N/A



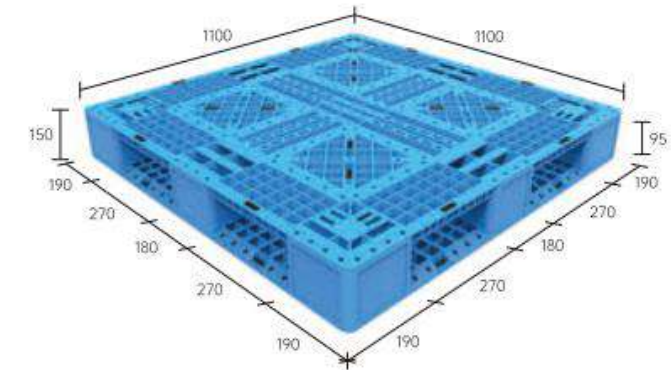
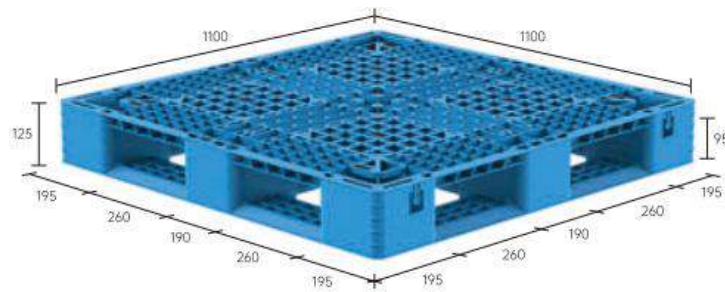
Item code	Dimension(mm)	Option	Bottom support	Load capacity (ton)		
				Static	Dynamic	Rack
RY-1111B-2	L1100xW1100xH150mm	W/O reinforce tube	3 runners	4	1	0.6
		With 8 reinforce tubes		4	1.5	1

Item code	Dimension(mm)	Option	Bottom support	Load capacity (ton)		
				Static	Dynamic	Rack
RY-1111B-3	L1100xW1100xH160mm	W/O reinforce tube	3 runners	4	1	0.6
		With 8 reinforce tubes		4	1.5	1



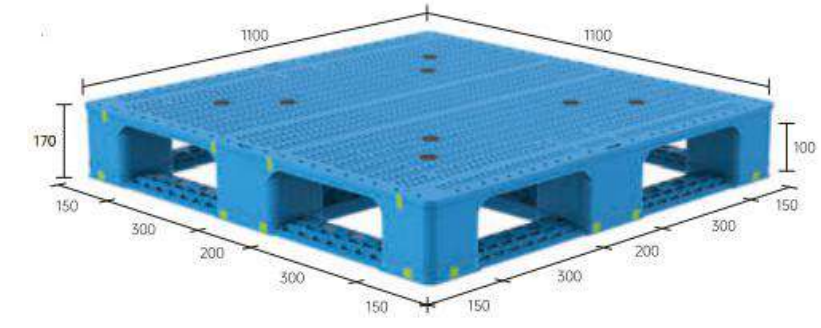
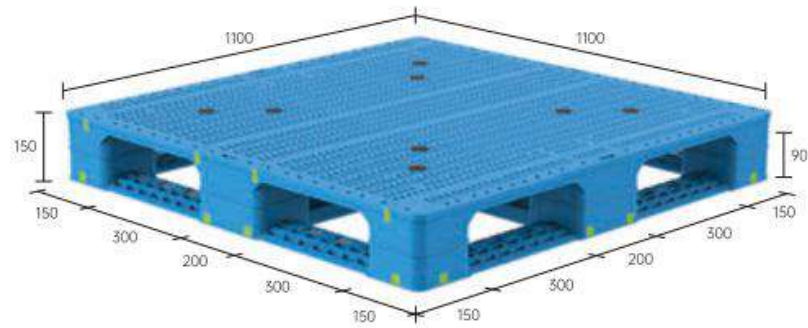
Item code	Dimension(mm)	Option	Bottom support	Load capacity (ton)		
				Static	Dynamic	Rack
RY-1111B-4	L1100xW1100xH150mm	W/O reinforce tube	3 runners	4	1	0.6
		With 8 reinforce tubes		4	1.5	1

Item code	Dimension(mm)	Option	Bottom support	Load capacity (ton)		
				Static	Dynamic	Rack
RY-1111B-5	L1100xW1100xH155mm	W/O reinforce tube	3 runners	4	1	0.6
		With 8 reinforce tubes		4	1.5	1



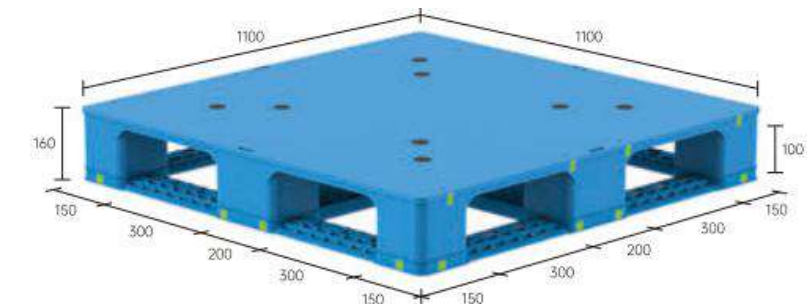
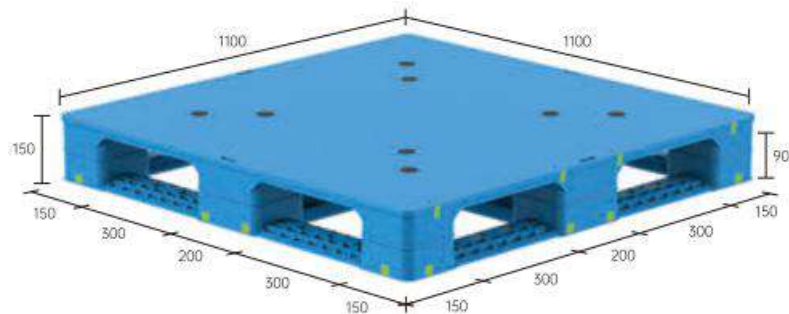
Item code	Dimension(mm)	Option	Bottom support	Load capacity (ton)		
				Static	Dynamic	Rack
RY-1110WT-1	L1100xW1000xH125mm	W/O reinforce tube	6 runners	2	0.5	N/A

Item code	Dimension(mm)	Option	Bottom support	Load capacity (ton)		
				Static	Dynamic	Rack
RY-1110WT-2	L1100xW1000xH150mm	W/O reinforce tube	6 runners	4	1	0.6



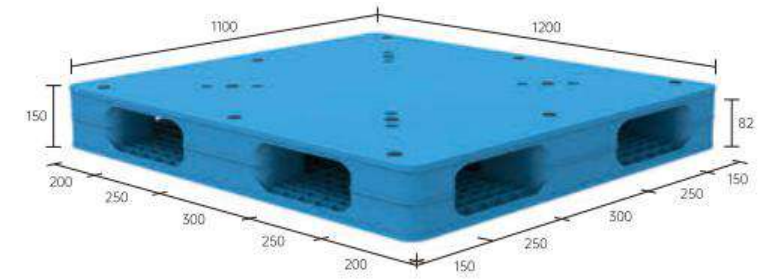
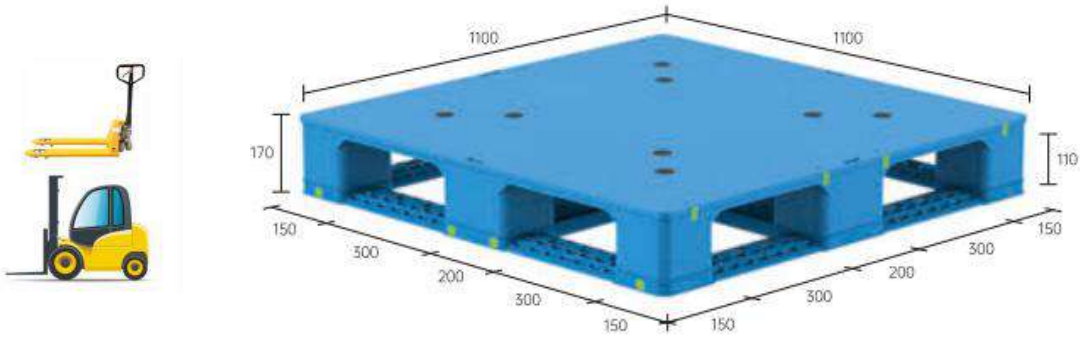
Item code	Dimension(mm)	Option	Bottom support	Load capacity (ton)		
				Static	Dynamic	Rack
RY-1111WT-3	L1100xW1100xH150mm	W/O reinforce tube	6 runners	4	1	0.6
		With 8 reinforce tubes		4	1.5	1

Item code	Dimension(mm)	Option	Bottom support	Load capacity (ton)		
				Static	Dynamic	Rack
RY-1111WT-4	L1100xW1100xH170mm	W/O reinforce tube	6 runners	4	1	0.6
		With 8 reinforce tubes		4	1.5	1



Item code	Dimension(mm)	Option	Bottom support	Load capacity (ton)		
				Static	Dynamic	Rack
RY-1111WT-5	L1100xW1100xH150mm	W/O reinforce tube	6 runners	4	1	0.6
		With 8 reinforce tubes		4	1.5	1

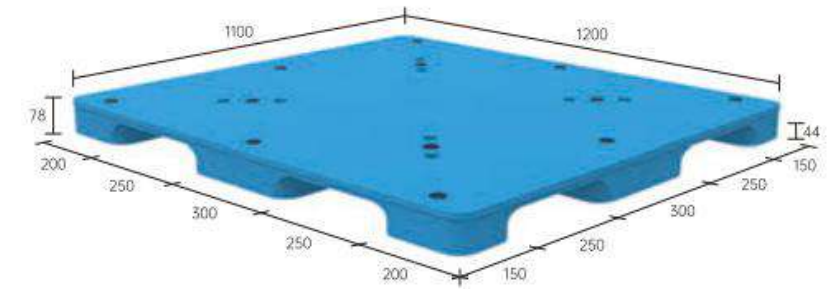
Item code	Dimension(mm)	Option	Bottom support	Load capacity (ton)		
				Static	Dynamic	Rack
RY-1111WT-6	L1100xW1100xH160mm	W/O reinforce tube	6 runners	4	1	0.6
		With 8 reinforce tubes		4	1.5	1



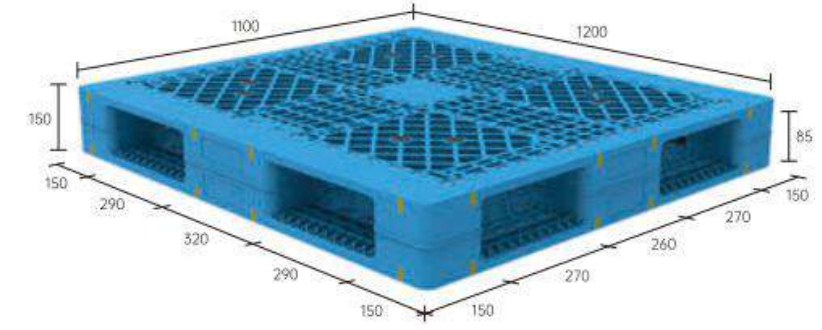
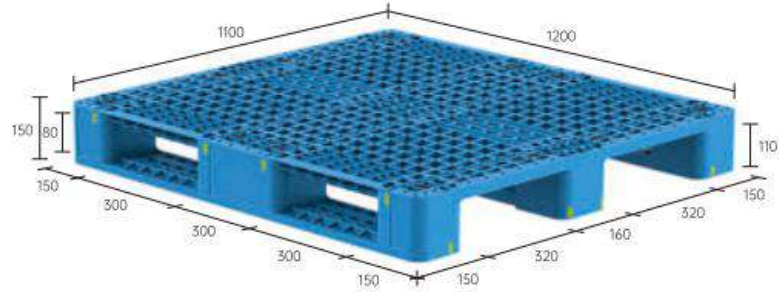
Item code	Dimension(mm)	Option	Bottom support	Load capacity (ton)		
				Static	Dynamic	Rack
RY-1111WT-7	L1100xW1100xH170mm	W/O reinforce tube	6 runners	4	1	0.6
		With 8 reinforce tubes		4	1.5	1

Item code	Dimension(mm)	Option	Bottom support	Load capacity (ton)		
				Static	Dynamic	Rack
RY-1211C-1	L1200xW1100xH150mm	W/O reinforce tube	Double-Sided	4	1	0.8

1200*1100 托盘系列
1200*1100 Pallet Series



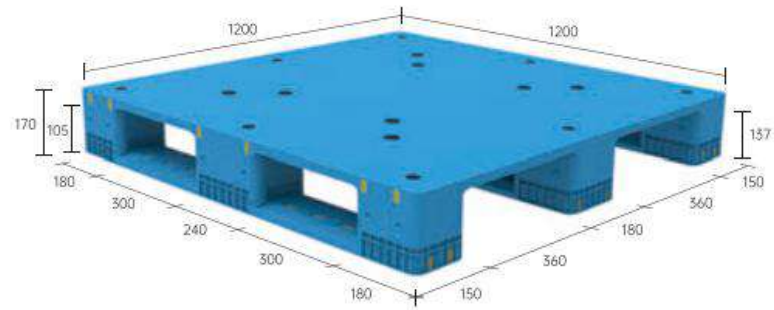
Item code	Dimension(mm)	Option	Bottom support	Load capacity (ton)		
				Static	Dynamic	Rack
RY-1211WT-7	L1200xW1100xH78mm	W/O reinforce tube	9 feet	4	N/A	N/A
		With 4 reinforce tubes		4	N/A	N/A



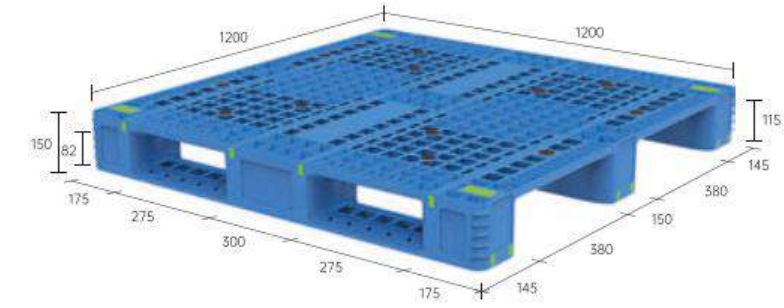
Item code	Dimension(mm)	Option	Bottom support	Load capacity (ton)		
				Static	Dynamic	Rack
RY-1211B-1	L1200xW1100xH150mm	W/O reinforce tube	9 feet	4	1	0.6
		With 8 reinforce tubes		4	1.5	1.2

Item code	Dimension(mm)	Option	Bottom support	Load capacity (ton)		
				Static	Dynamic	Rack
RY-1211B-1	L1200xW1100xH150mm	W/O reinforce tube	Double-Sided	4	1	0.8
		With 4 reinforce tubes		4	1.5	1.2
		With 6 reinforce tubes		4	2	1.5

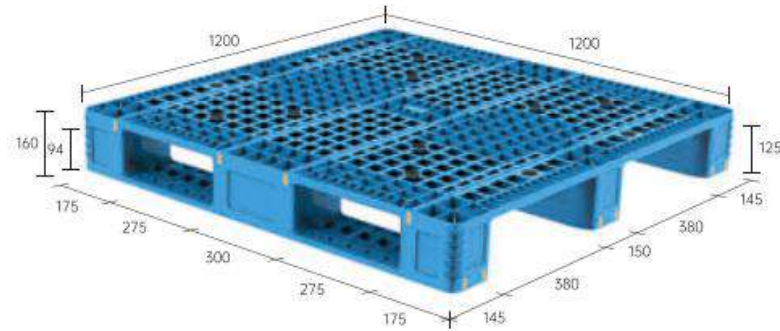
1200*1200 托盘系列
1200*1200 Pallet Series



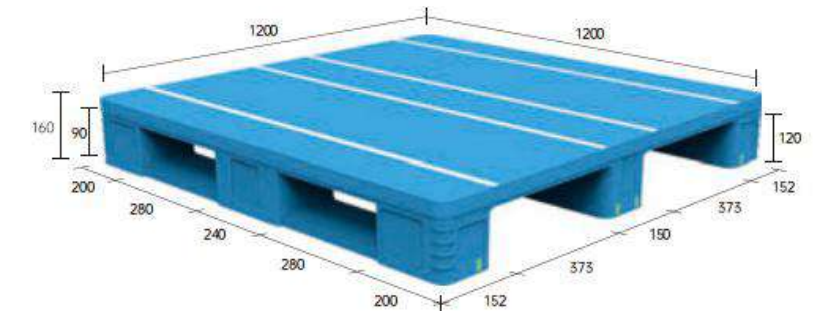
Item code	Dimension(mm)	Option	Bottom support	Load capacity (ton)		
				Static	Dynamic	Rack
RY-1212B-1	L1200xW1200xH170mm	W/O reinforce tube	3 runners	4	1	0.5
		With 12 reinforce tubes		4	1.5	1



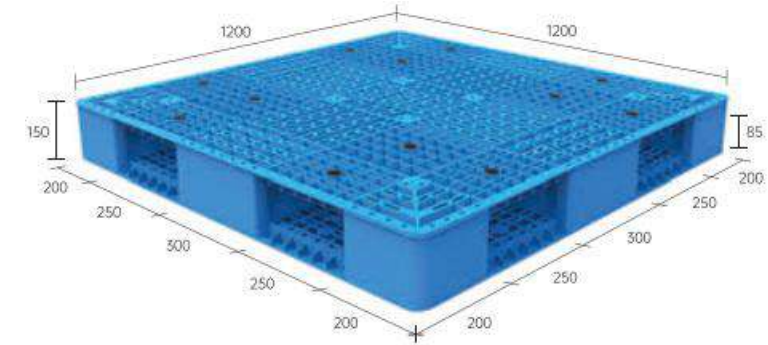
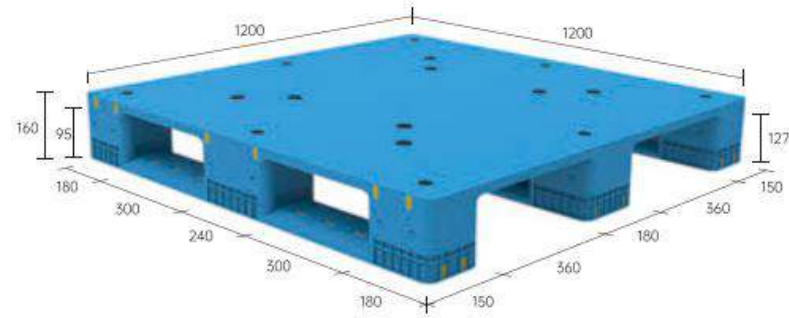
Item code	Dimension(mm)	Option	Bottom support	Load capacity (ton)		
				Static	Dynamic	Rack
RY-1212B-2	L1200xW1200xH115mm	W/O reinforce tube	3 runners	4	1	0.6
		With 10 reinforce tubes		4	1.5	1



Item code	Dimension(mm)	Option	Bottom support	Load capacity (ton)		
				Static	Dynamic	Rack
RY-1212B-3	L1200xW1200xH160mm	W/O reinforce tube	3 runners	4	1	0.6
		With 10 reinforce tubes		4	1.5	1

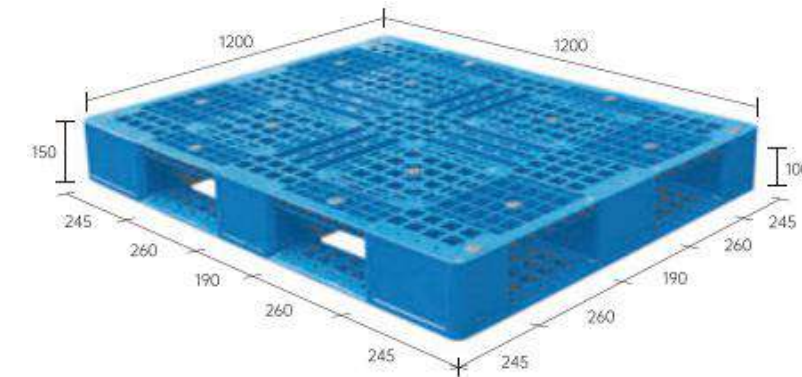
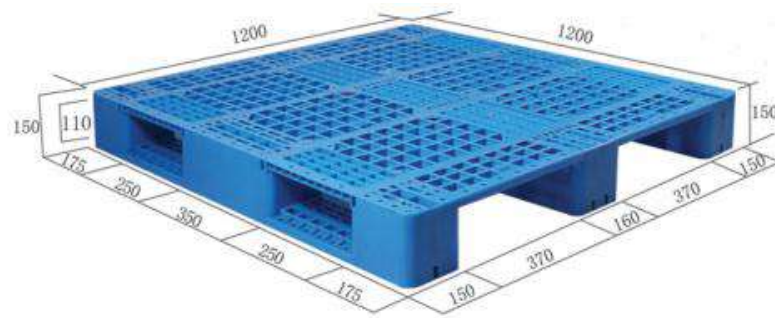


Item code	Dimension(mm)	Option	Bottom support	Load capacity (ton)		
				Static	Dynamic	Rack
RY-1212B-4	L1200xW1200xH160mm	W/O reinforce tube	3 runners	4	1	0.5
		With 10 reinforce tubes		4	1.5	1



Item code	Dimension(mm)	Option	Bottom support	Load capacity (ton)		
				Static	Dynamic	Rack
RY-1212B-5	L1200xW1200xH160mm	W/O reinforce tube	3 runners	4	1	0.6
		With 12 reinforce tubes		4	1.5	1

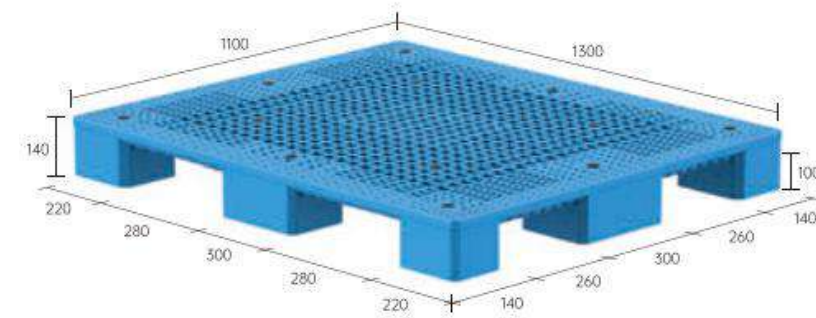
Item code	Dimension(mm)	Option	Bottom support	Load capacity (ton)		
				Static	Dynamic	Rack
RY-1212C-1	L1200xW1200xH150mm	W/O reinforce tube	Double-Sided	4	1.2	0.6



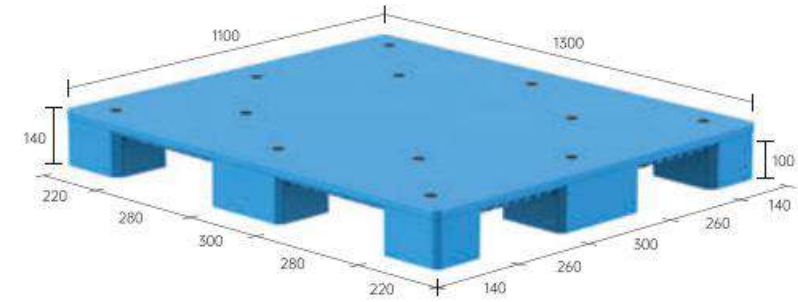
Item code	Dimension(mm)	Option	Bottom support	Load capacity (ton)		
				Static	Dynamic	Rack
RY-1212B-5	L1200xW1200xH150mm	W/O reinforce tube	3 runners	4	1	0.6
		With 8 reinforce tubes		6	2	0.8

Item code	Dimension(mm)	Option	Bottom support	Load capacity (ton)		
				Static	Dynamic	Rack
RY-1212WT-1	L1200xW1100xH150mm	W/O reinforce tube	6 runners	4	1	0.6

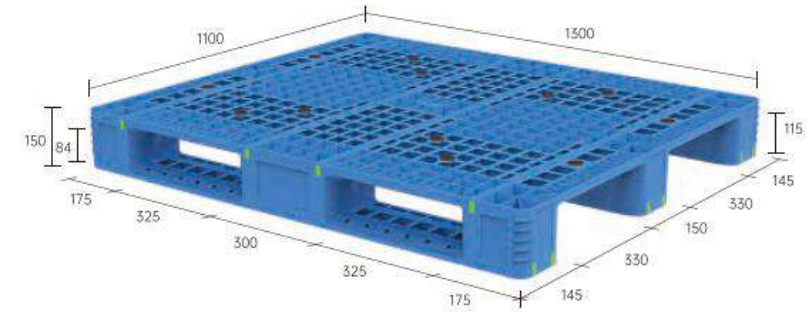
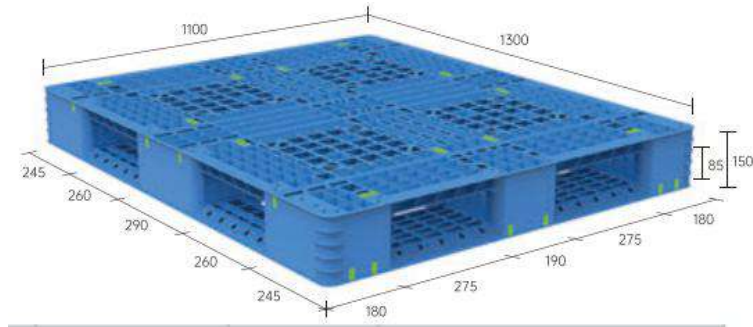
1300*1100 托盘系列
1300*1100 Pallet Series



Item code	Dimension(mm)	Option	Bottom support	Load capacity (ton)		
				Static	Dynamic	Rack
RY-1311A-1	L1300xW1100xH140mm	W/O reinforce tube	9 feet	4	1	N/A

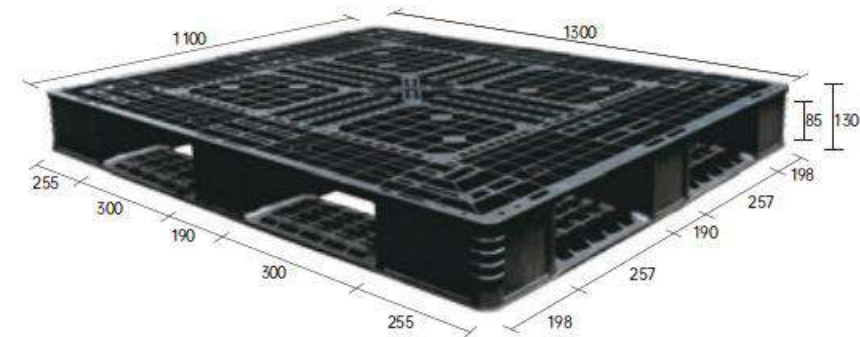
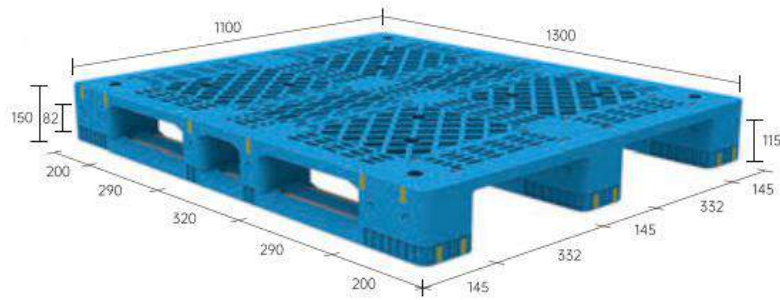


Item code	Dimension(mm)	Option	Bottom support	Load capacity (ton)		
				Static	Dynamic	Rack
RY-1311A-2	L1300xW1100xH140mm	W/O reinforce tube	9 feet	4	1	N/A



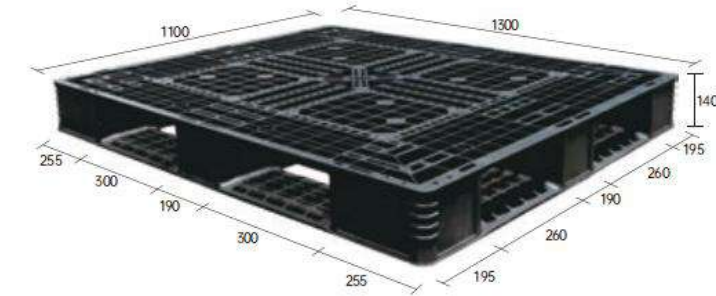
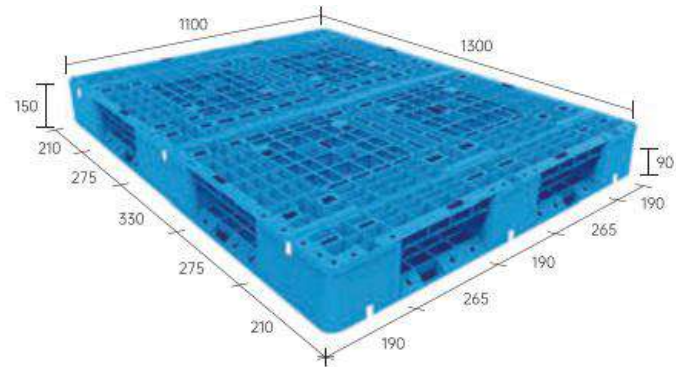
Item code	Dimension(mm)	Option	Bottom support	Load capacity (ton)		
				Static	Dynamic	Rack
RY-1311WT-1	L1300xW1100xH150mm	W/O reinforce tube	6 runners	4	1	0.5
		With 10 reinforce tubes		4	1.5	1

Item code	Dimension(mm)	Option	Bottom support	Load capacity (ton)		
				Static	Dynamic	Rack
RY-1311B-1	L1300xW1100xH150mm	W/O reinforce tube	3 runners	4	1	0.6
		With 10 reinforce tubes		4	1.5	1



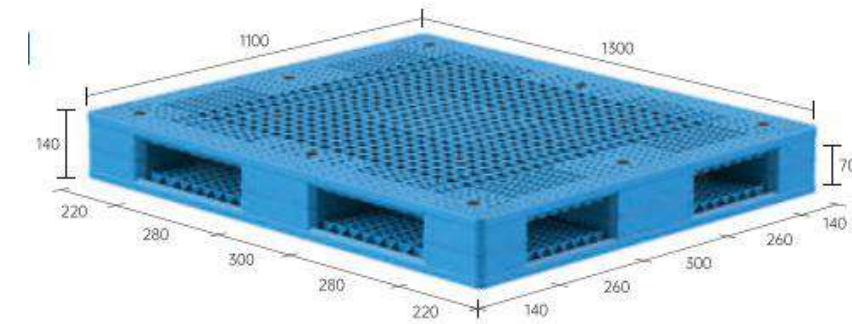
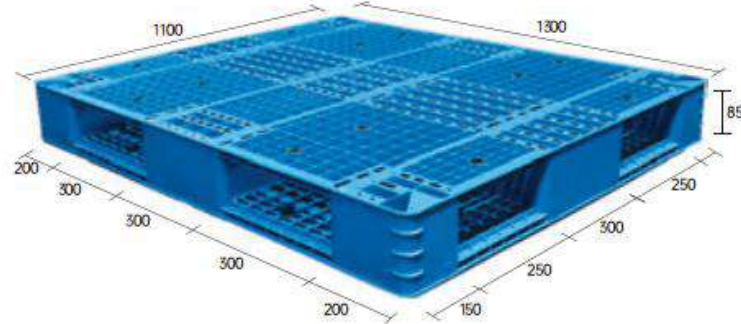
Item code	Dimension(mm)	Option	Bottom support	Load capacity (ton)		
				Static	Dynamic	Rack
RY-1311B-3	L1300xW1100xH150mm	W/O reinforce tube	3 runners	4	1	0.6
		With 12 reinforce tubes		4	1.5	1

Item code	Dimension(mm)	Option	Bottom support	Load capacity (ton)		
				Static	Dynamic	Rack
RY-1311WT-2	L1300xW1100xH130mm	8 reinforce tube	6 runners	3	1.5	N/A



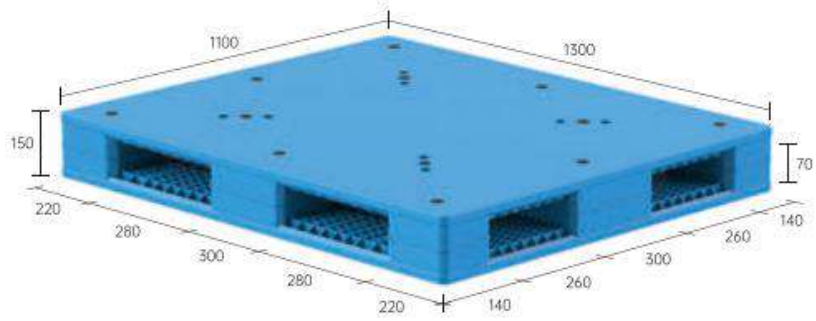
Item code	Dimension(mm)	Option	Bottom support	Load capacity (ton)		
				Static	Dynamic	Rack
RY-1311WT-3	L1300xW1100xH150mm	W/O reinforce tube	6 runners	4	1	0.6
		With 6 reinforce tubes		4	1.5	1

Item code	Dimension(mm)	Option	Bottom support	Load capacity (ton)		
				Static	Dynamic	Rack
RY-1311WT-4	L1300xW1100xH140mm	W/O reinforce tube	6 runners	3	1.5	N/A



Item code	Dimension(mm)	Option	Bottom support	Load capacity (ton)		
				Static	Dynamic	Rack
RY-1311C-1	L1300xW1100xH150mm	W/O reinforce tube	Double-Sided	4	1	0.5
		With 8 reinforce tubes		4	1.5	1

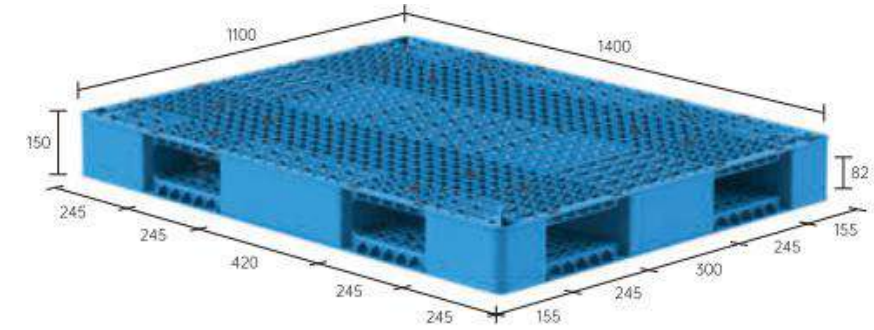
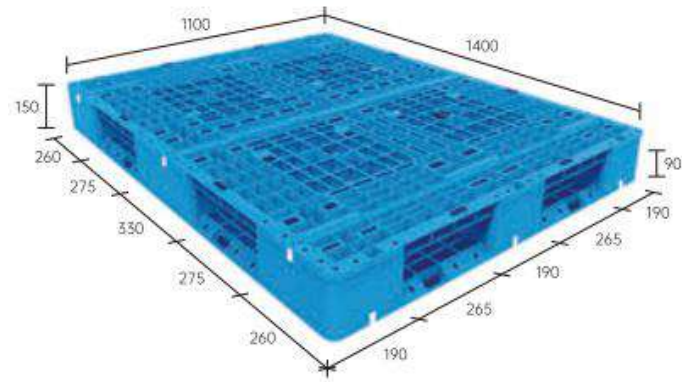
Item code	Dimension(mm)	Option	Bottom support	Load capacity (ton)		
				Static	Dynamic	Rack
RY-1311C-2	L1300xW1100xH140mm	W/O reinforce tube	Double-Sided	6	1.5	0.6



Item code	Dimension(mm)	Option	Bottom support	Load capacity (ton)		
				Static	Dynamic	Rack
RY-1311C-2	L1300xW1100xH150mm	W/O reinforce tube	Double-Sided	6	1.5	0.6

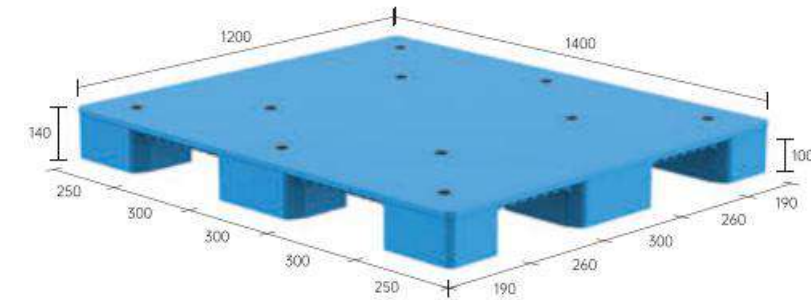
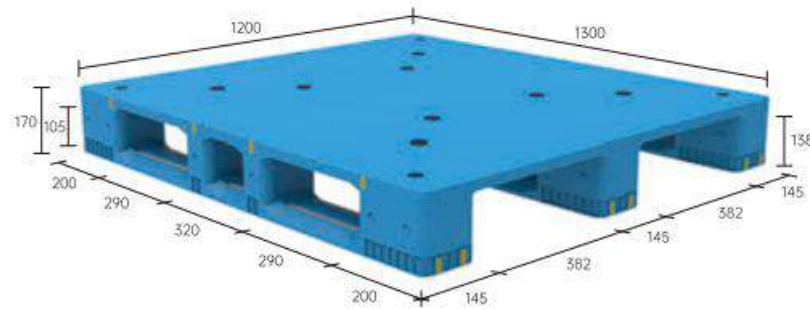
Other Sizes Plastic Pallets





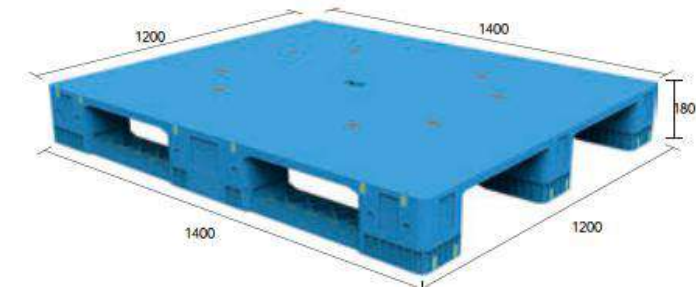
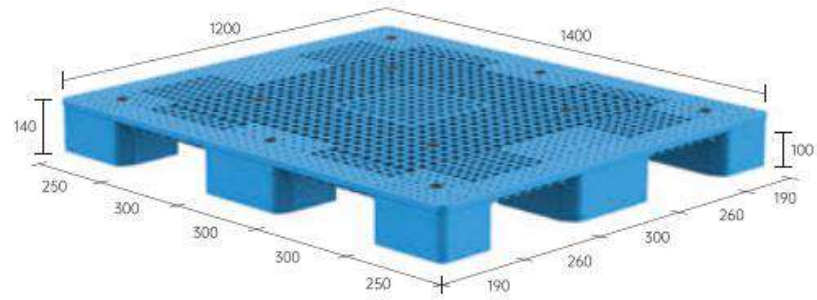
Item code	Dimension(mm)	Option	Bottom support	Load capacity (ton)		
				Static	Dynamic	Rack
RY-1411WT-1	L1400xW1100xH150mm	W/O reinforce tube	6 runners	4	1	0.5
		With 6 reinforce tubes		4	1.5	1

Item code	Dimension(mm)	Option	Bottom support	Load capacity (ton)		
				Static	Dynamic	Rack
RY-1411C-1	L1400xW1100xH150mm	W/O reinforce tube	Double-Sided	4	1.5	0.6



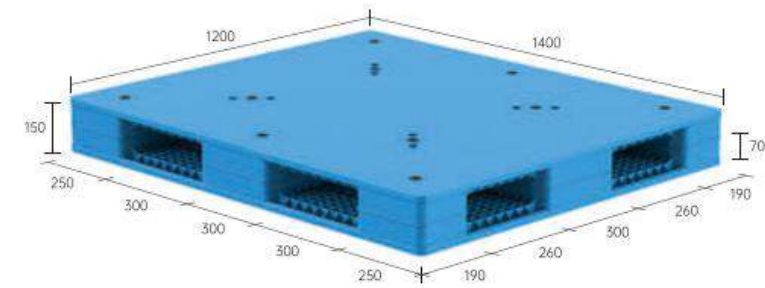
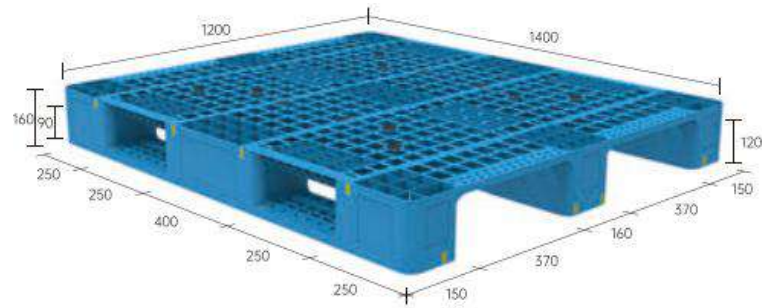
Item code	Dimension(mm)	Option	Bottom support	Load capacity (ton)		
				Static	Dynamic	Rack
RY-1412B-1	L1400xW1200xH170mm	W/O reinforce tube	3 runners	4	1	0.5
		With 10 reinforce tubes		4	1.5	1

Item code	Dimension(mm)	Option	Bottom support	Load capacity (ton)		
				Static	Dynamic	Rack
RY-1412A-1	L1400xW1200xH140mm	W/O reinforce tube	9 feet	4	1	N/A



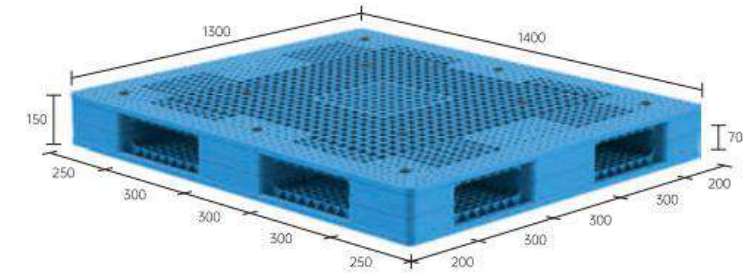
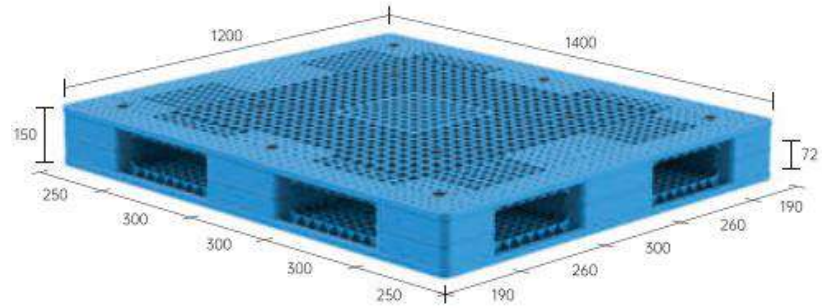
Item code	Dimension(mm)	Option	Bottom support	Load capacity (ton)		
				Static	Dynamic	Rack
RY-1412A-2	L1400xW1200xH140mm	W/O reinforce tube	9 feet	4	1	N/A

Item code	Dimension(mm)	Option	Bottom support	Load capacity (ton)		
				Static	Dynamic	Rack
RY-1412B-2	L1400xW1200xH180mm	W/O reinforce tube	3 runners	4	1.2	0.6



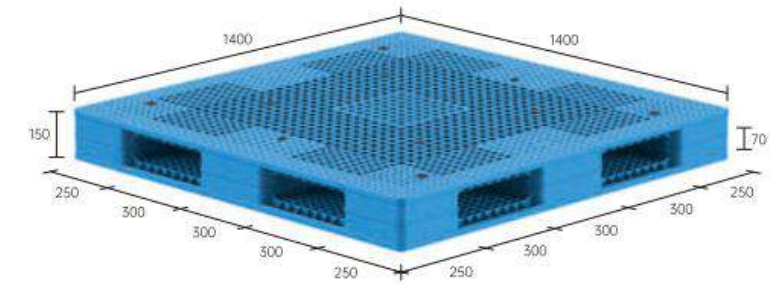
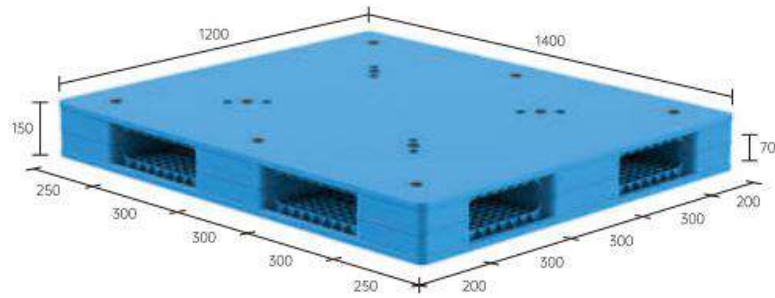
Item code	Dimension(mm)	Option	Bottom support	Load capacity (ton)		
				Static	Dynamic	Rack
RY-1412B-2	L1400xW1200xH160mm	W/O reinforce tube	3 runners	4	1	0.4
		With 8 reinforce tubes		4	1.5	0.8

Item code	Dimension(mm)	Option	Bottom support	Load capacity (ton)		
				Static	Dynamic	Rack
RY-1412C-1	L1400xW1200xH150mm	W/O reinforce tube	Double-Sided	6	1.5	0.8



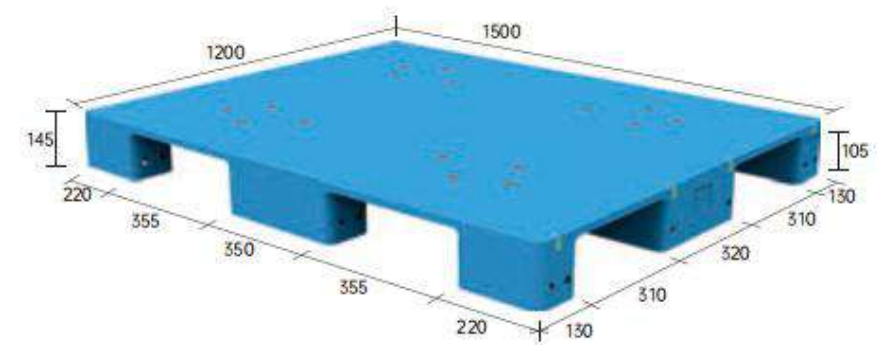
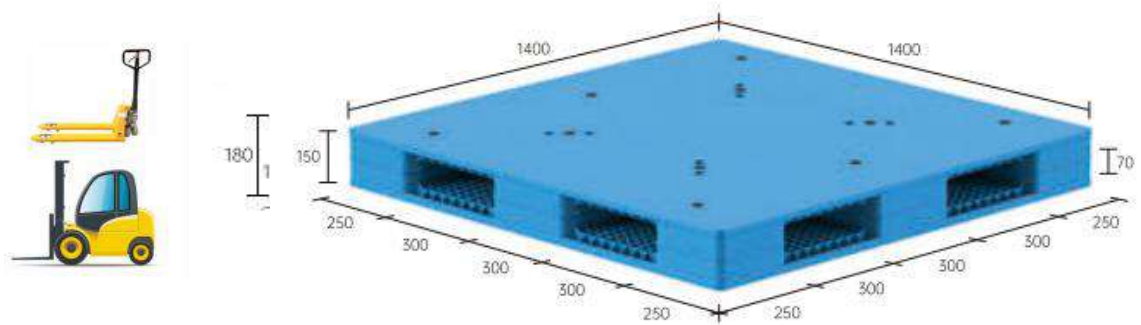
Item code	Dimension(mm)	Option	Bottom support	Load capacity (ton)		
				Static	Dynamic	Rack
RY-1412C-2	L1400xW1200xH150mm	W/O reinforce tube	Double-Sided	6	1.5	0.6

Item code	Dimension(mm)	Option	Bottom support	Load capacity (ton)		
				Static	Dynamic	Rack
RY-1413C-1	L1400xW1300xH150mm	W/O reinforce tube	Double-Sided	6	1.5	0.6



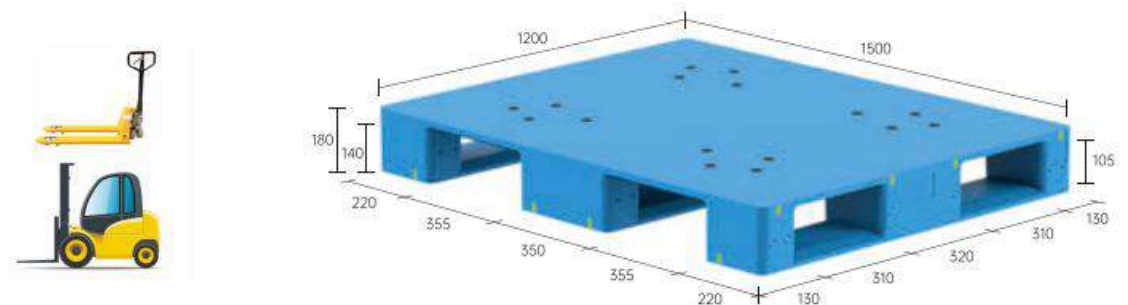
Item code	Dimension(mm)	Option	Bottom support	Load capacity (ton)		
				Static	Dynamic	Rack
RY-1413C-2	L1400xW1300xH150mm	W/O reinforce tube	Double-Sided	6	1.5	0.6

Item code	Dimension(mm)	Option	Bottom support	Load capacity (ton)		
				Static	Dynamic	Rack
RY-1414C-1	L1400xW1400xH150mm	W/O reinforce tube	Double-Sided	6	1.5	0.6



Item code	Dimension(mm)	Option	Bottom support	Load capacity (ton)		
				Static	Dynamic	Rack
RY-1414C-2	L1400xW1400xH150mm	W/O reinforce tube	Double-Sided	6	1.5	1

Item code	Dimension(mm)	Option	Bottom support	Load capacity (ton)		
				Static	Dynamic	Rack
RY-1412A-1	L1400xW1200xH145mm	W/O reinforce tube	9 feet	4	0.8	N/A
		With 4 reinforce tubes		4	1.2	N/A



Item code	Dimension(mm)	Option	Bottom support	Load capacity (ton)		
				Static	Dynamic	Rack
RY-1412B-1	L1500xW1200xH180mm	W/O reinforce tube	3 runners	4	1	0.6
		With 8 reinforce tubes		4	1.5	1

物流箱系列
The Collapsible Bin Series

Easy to assemble and use

The collapsible bin widely use in transportation and warehousing . It load different stuffs in many fields . Open it to load and fold it when stock for saving space



① Fold



③ Assemble



② Open



Universal wheels can be installed

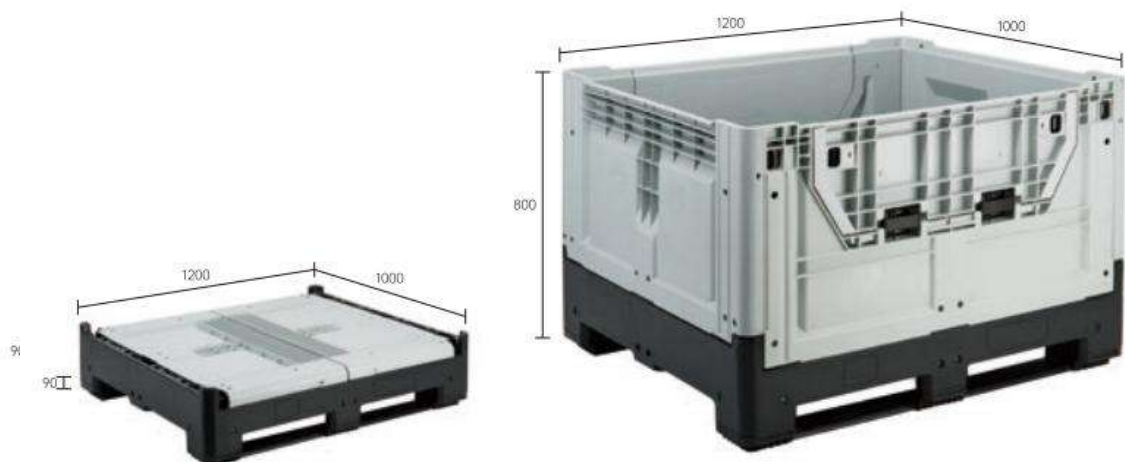


Foldable storage stack



Deployable stack

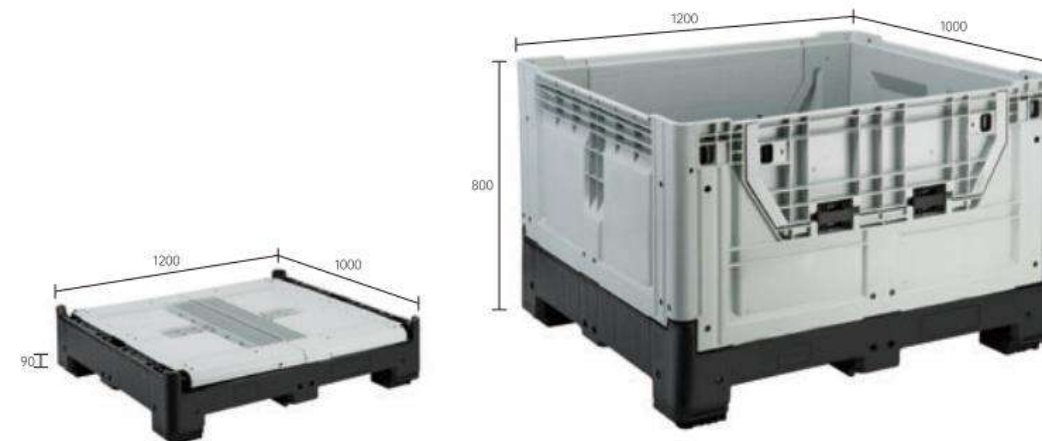
◀ RY-1210PB2



Different panel collocation



◀ RY-1210PB-C



Different panel collocation



RY-1210PB2
Dimension:L1200xW1000xH800mm
Static:4 ton
Dynamic:1 ton
Rack:0.6 ton

RY-1210PN
Dimension:L1200xW1000xH800mm
Static:4 ton
Dynamic:1 ton
Rack:0.6 ton

RY-1210PB
Dimension:L1200xW1000xH800mm
Static:4 ton
Dynamic:1 ton
Rack:0.6 ton

RY-1210PB-C
Dimension:L1200xW1000xH800mm
Static:4 ton
Dynamic:1 ton
Rack:0.6 ton

RY-1210PB-N
Dimension:L1200xW1000xH800mm
Static:4 ton
Dynamic:1 ton
Rack:0.6 ton

RY-1210PB-2
Dimension:L1200xW1000xH800mm
Static:4 ton
Dynamic:1 ton
Rack:0.6 ton